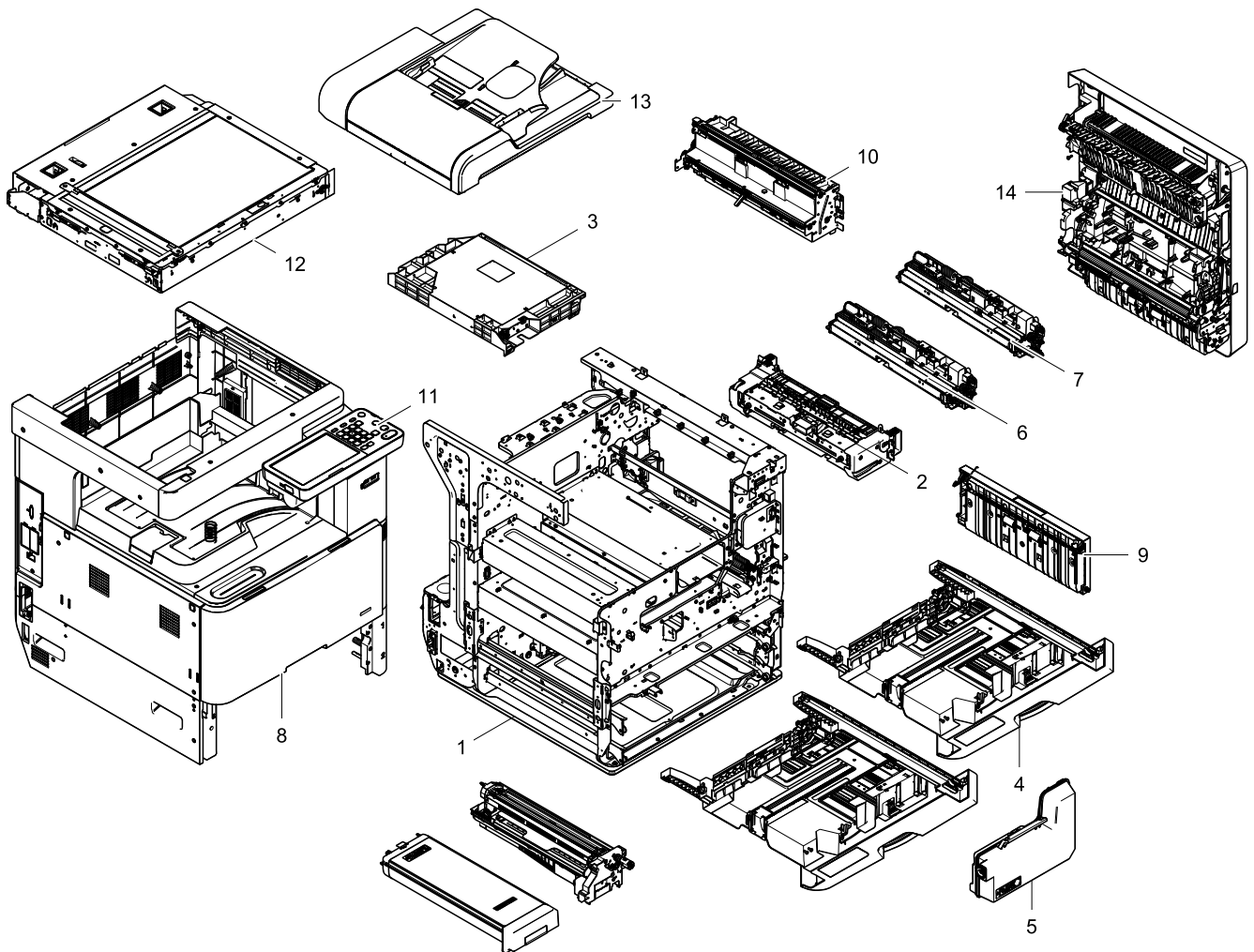


1. Main

Exploded View



Parts List

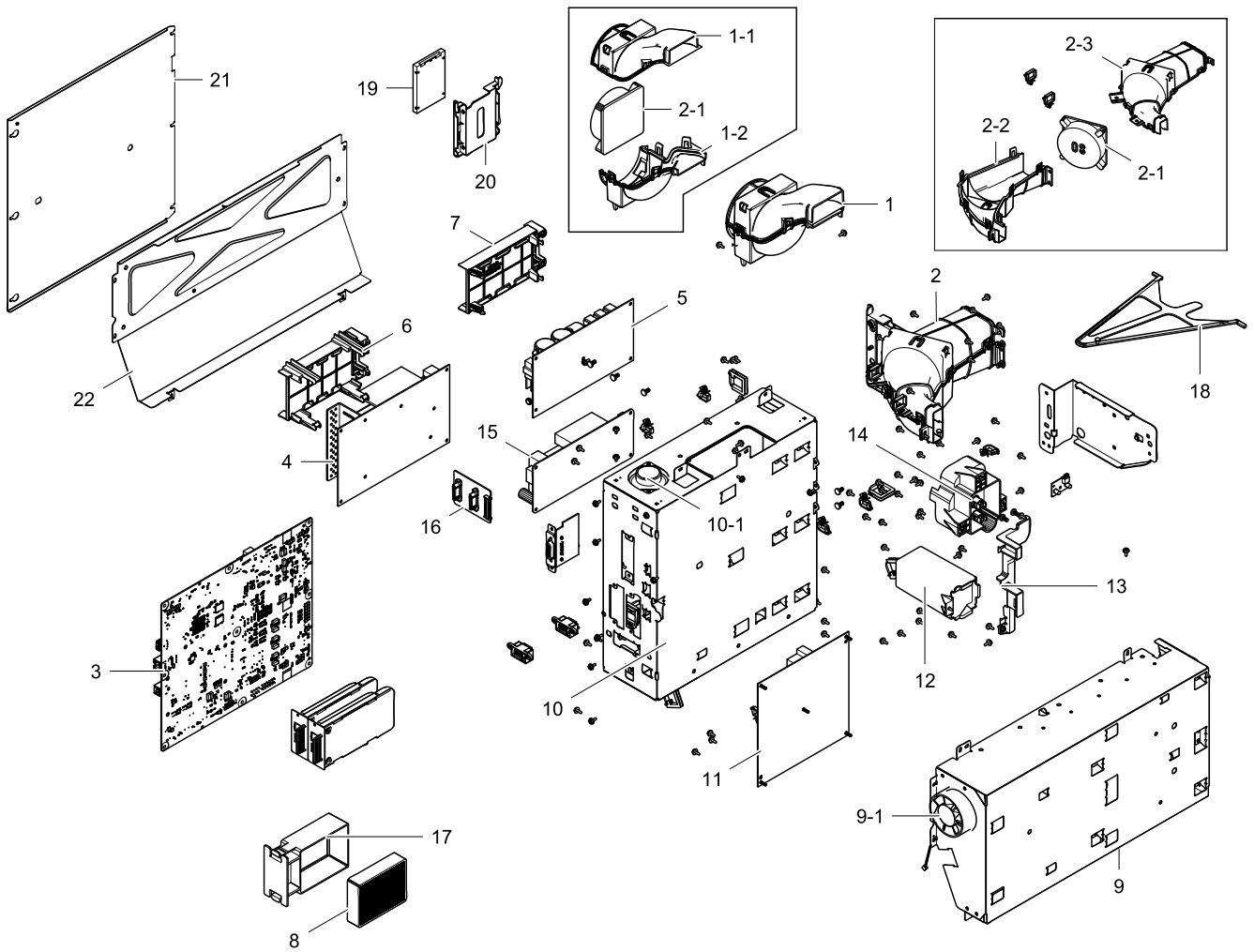
No.	Lvl.	Loc.	Material Code	Description & Specification	SNA	Qty.
1	1		JC93-00128E	FRAME MAIN; SCX-8240,SEC,WORLD	SNA	1
2	1		JC91-01144A	FUSER; SCX-8240NA,SEC,WORLD,220V	SA	1
3	1		JC97-04219A	LSU; SCX-8240NA,SEC,Mono,A3,600,Dual beam	SA	1
4	1		JC90-00927B	CASSETTE; CLX-9352NA,SEC	SA	2
5	1		JC96-05748B	CARTRIDGE-WTB; SCX-8240,SEC,100K	SA	1
6	1		JC93-00070A	FRAME MAIN-PICK UP; CLX-9350,SEC	SA	1
7	1		JC93-00174A	FRAME MAIN-PICK UP SECOND; CLX-9350,SEC	SA	1
8	1		JC95-01808A	COVER; SCX-8240ND,SEC,WORLD	SNA	1
9	1		JC95-01034A	COVER-TAKE AWAY; CLX-9350,SEC,-,-,-,-,-	SA	1
10	1		JC90-00967A	EXIT; SCX-8040,SEC	SA	1
11	1		JC97-04362B	OPE; CLX-9352NA,SEC	SA	1

Exploded Views and Parts List

No.	Lvl.	Loc.	Material Code	Description & Specification	SNA	Qty.
12	1		JC97-04211A	PLATEN FR HR; Cosmos Refresh,SCANNER	SA	1
13	1		JC97-04212A	DADF; CLX-9352NA,SEC	SA	1
14	1		JC95-01137A	COVER-SIDE; SCX-8040,SEC	SNA	1

2. MAINLINE

Exploded View



Parts List

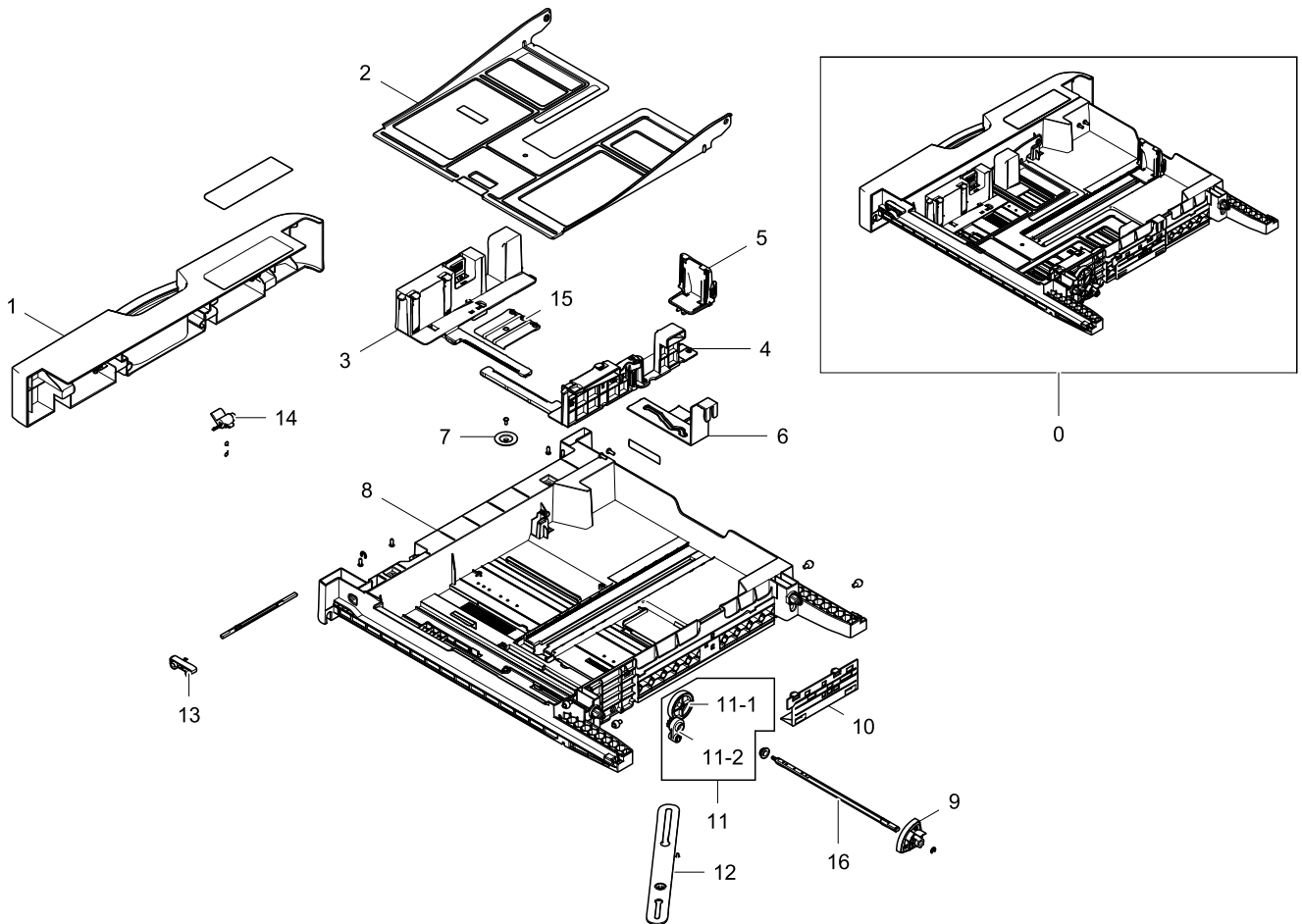
No.	Lvl.	Loc.	Material Code	Description & Specification	SNA	Qty.
1	2		JC93-00799A	FRAME-MAIN DUCT DUPLEX; CLX-9352,SEC,WORL	SNA	1
1-1	3		JC67-00683A	DUCT-DUPLEX UPPER; CLX-9352,HIPS,HB,HIPS-	SNA	1
1-2	3		JC67-00684A	DUCT-DUPLEX LOWER; CLX-9352,HIPS,HB,HIPS-	SNA	1
2	2		JC93-00798A	FRAME-MAIN DUCT FUSER; CLX-9352,SEC,WORLD	SNA	1
2-1	3		JC31-00161A	FAN; Type7,24,170mA,0.949m ³ /mi	SA	1
2-2	3		JC67-00682A	DUCT-FUSER LOWER; CLX-9352,HIPS,HB,HIPS-5	SNA	1
2-3	3		JC67-00685A	DUCT-FUSER UPPER; CLX-9352,HIPS,HB,HIPS-5	SNA	1

Exploded Views and Parts List

No.	Lvl.	Loc.	Material Code	Description & Specification	SNA	Qty.
3	2		JC92-02587E	PBA-MAIN; SCX-8240NA,C4N,5V/ 24V,FR-4/6L,	SA	1
4	2		JC44-00100C	SMPS-V2; CLX-9201,PSPN TYPE5-V2,AC-DC,275	SA	1
5	2		JC44-00227A	FDB-COSMOS R FDB V2; CLX-9352NA,COSMOS R	SA	1
6	2		JC61-05796A	GUIDE-FAX UPPER; CLX-9352,HIPS,T3.0,W139.	SNA	1
7	2		JC61-04789A	GUIDE-FAX; CLX-9201,HIPS,24.9,139,67.6,HB	SA	1
8	2		JC29-00002A	FILTER BPF; SCX-8025ND	SA	1
9	3		JC63-02549A	SHIELD-SMPS LOWER; CLX-9352,EGI-SECC,0.8,	SNA	1
9-1	3		JC31-00160C	FAN-TYPE 6; 120mA,4.00mmH20,0.424m^3/mi	SA	1
10	2		JC93-00800A	FRAME-REAR SHIELD MAIN; CLX-9352,SEC,WORL	SNA	1
10-1	3	G1134	3001-002207	SPEAKER; 0.3W,8Ohm,81dB,400Hz	SA	1
11	2		JC44-00182A	HVPS; 24V,21.6V~27.6V,MAX 8KV,MAX-8KV,600	SA	1
12	2		JC63-02201A	COVER-CASSETTE RAIL; CLX-9350,ABS,49,60,1	SNA	1
13	2		JC63-02337A	COVER-HARNESS PU A; CLX-9350,ABS+PC,BLK	SNA	1
14	2		JC31-00124A	MOTOR GEARED-T_SUPPLY; 125RPM/400RPM,0.78	SA	1
15	2		JC44-00090E	SMPS-V2; SCX-5737FW,PSPN-Type3-V2,Flyback	SA	1
16	2		JC92-02584A	PBA-FAX JOINT; CLX-9352NA,SEC,CEM3/2L,65.	SA	1
17	2		JC61-02906A	HOLDER-FILTER OZONE; CLX-9350,HIPS,41,76,	SA	1
18	2		JC61-03318A	GUIDE-RETURN PATH; CLX-9350,NORYL,166,221	SA	1
19	2		JC59-00035A	HDD; 320G,HTS543232A7A384,S63,H16,C16383,	SA	1
20	2	J8623	JC97-02276A	MEA UNIT-HOLDER HDD; SCX-6345N/XRX,XEROX,	SA	1
21	2		JC63-03957A	SHIELD-MAIN UPPER; EGI-SECC,0.6,306,322.2	SNA	1
22	2		JC63-02270A	SHIELD-SMPS UPPER; CLX-9350,EGI-SECC,1,24	SNA	1

3. CASSETTE

Exploded View



Parts List

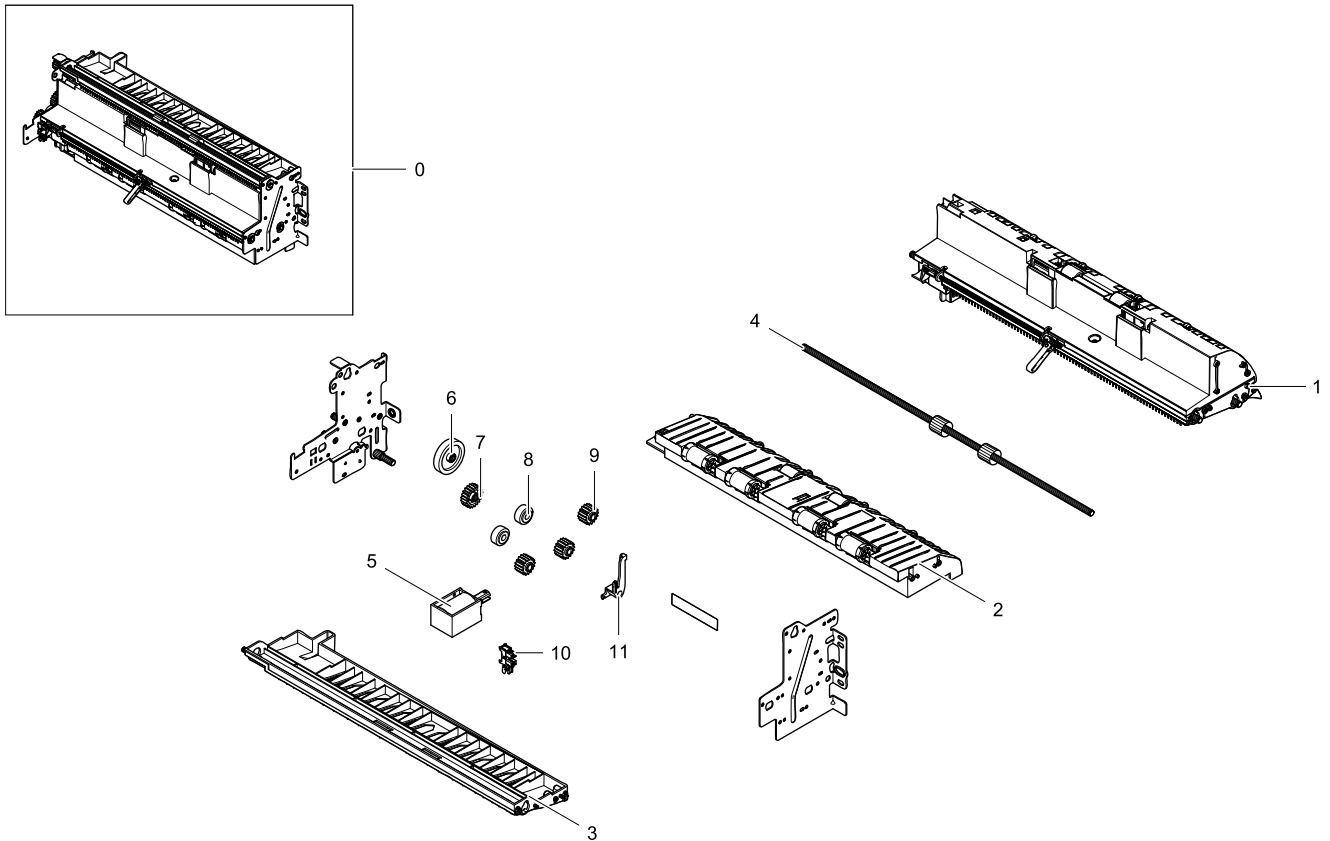
No.	Lvl.	Loc.	Material Code	Description & Specification	SNA	Qty.
0	1		JC90-00927B	CASSETTE; CLX-9352NA,SEC	SA	2
1	2		JC90-00938A	CASSETTE-COVER; CLX-9350,SEC	SA	2
2	2		JC61-03205A	PLATE-KNOCK UP; CLX-9350,EGI-SECC,1.0T,36	SNA	2
3	2		JC90-00928A	CASSETTE-GUIDE FRONT; CLX-9350,SEC,-,-,-	SA	2
4	2		JC90-00929A	CASSETTE-GUIDE REAR; CLX-9350,SEC,-,-,-	SA	2
5	2		JC61-03139A	GUIDE-LEFT; CLX-9350,ABS,43,78,PAPER	SA	2
6	2		JC64-00488A	INDICATOR-SIZE SIDE; CLX-9350,PC+ABS,141X	SA	2
7	2	15678	JC66-01020A	GEAR-M_PINION 24; SCX-6345N/XRX,POM,1,24,	SA	2
8	2		JC61-03215A	FRAME-CASSETTE; CLX-9350,HIPS,SHG85,HB,CR	SA	2
9	2		JC90-00987A	CASSETTE-GEAR LIFT; CLX-9350,SEC	SA	2
10	2		JC64-00487A	INDICATOR-SIZE REAR; CLX-9350,POM	SA	2

Exploded Views and Parts List

No.	Lvl.	Loc.	Material Code	Description & Specification	SNA	Qty.
11	2		JC90-00931A	CASSETTE-BRACKET LIFT; CLX-9350,SEC,-,-,-	SA	2
11-1	3	I5660	JC66-00955A	GEAR-M_LIFT COUPLING; SCX-6345N/XRX,POM,1	SA	2
11-2	3		JC66-02415A	DAMPER-HINGE; CLX-9350,PC,170GF*CM	SNA	2
12	2		JC66-02240A	LEVER-LINK SIZE; CLX-9350,PC,T9,W286,L30,	SA	2
13	2		JC64-00482A	LOCKER-CASSETTE; CLX-9350,POM,BLACK	SA	2
14	2		JC66-02200A	LEVER-HANDELE CST; CLX-9350,POM,42,26,WHI	SA	2
15	2		JC61-03206A	PLATE-LEVER; CLX-9350,EGI-SECC,1.6T,73.6,	SA	2
16	2		JC66-02411A	SHAFT-LIFTING CST; CLX-9350,SUM22,254.7,8	SNA	2

4. EXIT

Exploded View

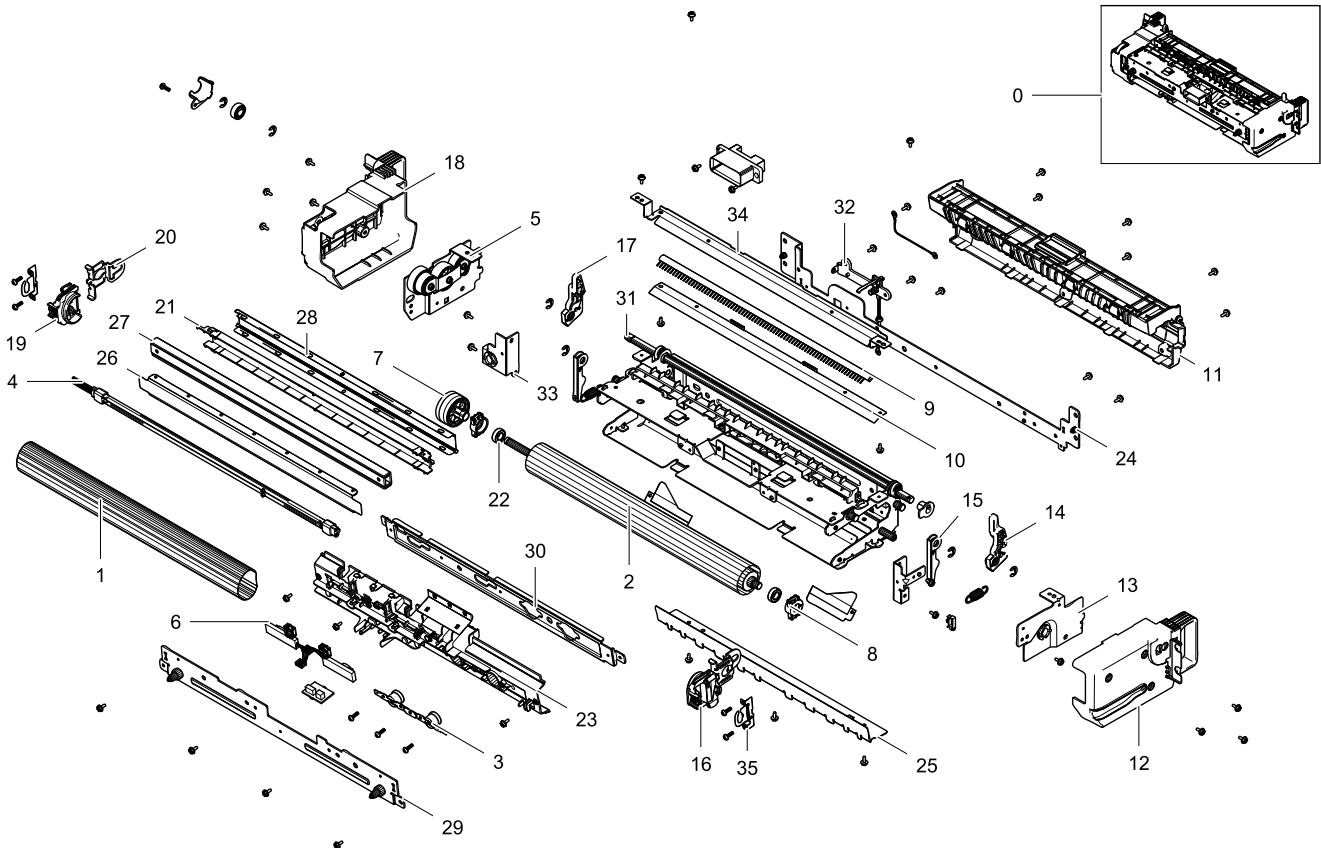


Parts List

No.	Lvl.	Loc.	Material Code	Description & Specification	SNA	Qty.
0	1		JC90-00967A	EXIT; SCX-8040,SEC	SA	1
1	2		JC90-00965A	EXIT GUIDE-MIDDLE; SCX-8040,SEC	SA	1
2	2		JC90-00966A	EXIT GUIDE-LOWER; SCX-8040,SEC	SNA	1
3	2		JC61-03593A	GUIDE-RETURN_DUPLEX; SCX-8040,PPE+PS N300	SA	1
4	2		JC66-02373A	ROLLER-EXIT; CLX-9350,EPDM	SA	1
5	2		JC33-00031B	SOLENOID-LIFTING; CLX-9350,24,80ohm,-10'C	SA	1
6	2		JC66-02537A	GEAR-IDLE_A; SCX-8040,POM,1,33,Natural,35	SA	1
7	2		JC66-02165A	GEAR-IDLE B EXIT; CLX-9350,POM,1.0,21,23	SA	1
8	2		JC66-02496A	GEAR-IDLE_B; SCX-8040,POM,1,18,Natural,20	SA	2
9	2		JC66-02163A	GEAR-EXIT; CLX-9350,POM,1.0,16,18.39	SA	3
10	2	E9322	0604-001393	PHOTO-INTERRUPTER; TR,75mW,BGA,TR	SA	1
11	2		JC66-02491A	BRACKET-ARM-SOLENOID; SCX-8040,POM,41,20.	SA	1

5. FUSER

Exploded View



Parts List

No.	Lvl.	Loc.	Material Code	Description & Specification	SNA	Qty.
0	1		JC91-01144A	FUSER; SCX-8240NA,SEC,WORLD,220V	SA	1
1	2		JC66-03863A	BELT FUSER-DRUM; CLX-9201,NI,LSR,Non-cond	SA	1
2	2		JC66-02541A	ROLLER FUSER-PRESSURE; SCX-8040ND,24.5,SU	SA	1
3	2		4712-001087	THERMOSTAT; 125/250VAC,200,195+-5C,200,10	SNA	1
4	2		4713-001679	LAMP-HALOGEN; 230V,1300W	SA	1
5	2		JC91-01146A	FUSER-BRACKET GEAR SUB; SCX-8040ND,WORLD	SNA	1
6	2	L7827	1404-001453	THERMISTOR-NTC ASSY; 7Kohm,3370K	SNA	2
7	2		JC66-02517A	GEAR-PR Z32; SCX-8040,PPS,M1.0,Z32,OD36.1	SA	1
8	2		JC61-03681A	BUSH-PR; SCX-8040,PPS+CF30,ID10,L25.8,BLA	SNA	2
9	2		JC67-00417D	BRUSH-FUSER OUTPUT; SCX-8040ND,SUS FIBER,	SA	1
10	2		JC61-04051A	HOLDER-BRUSH; SCX-8040ND,STS304,0.3T,W20.	SA	1

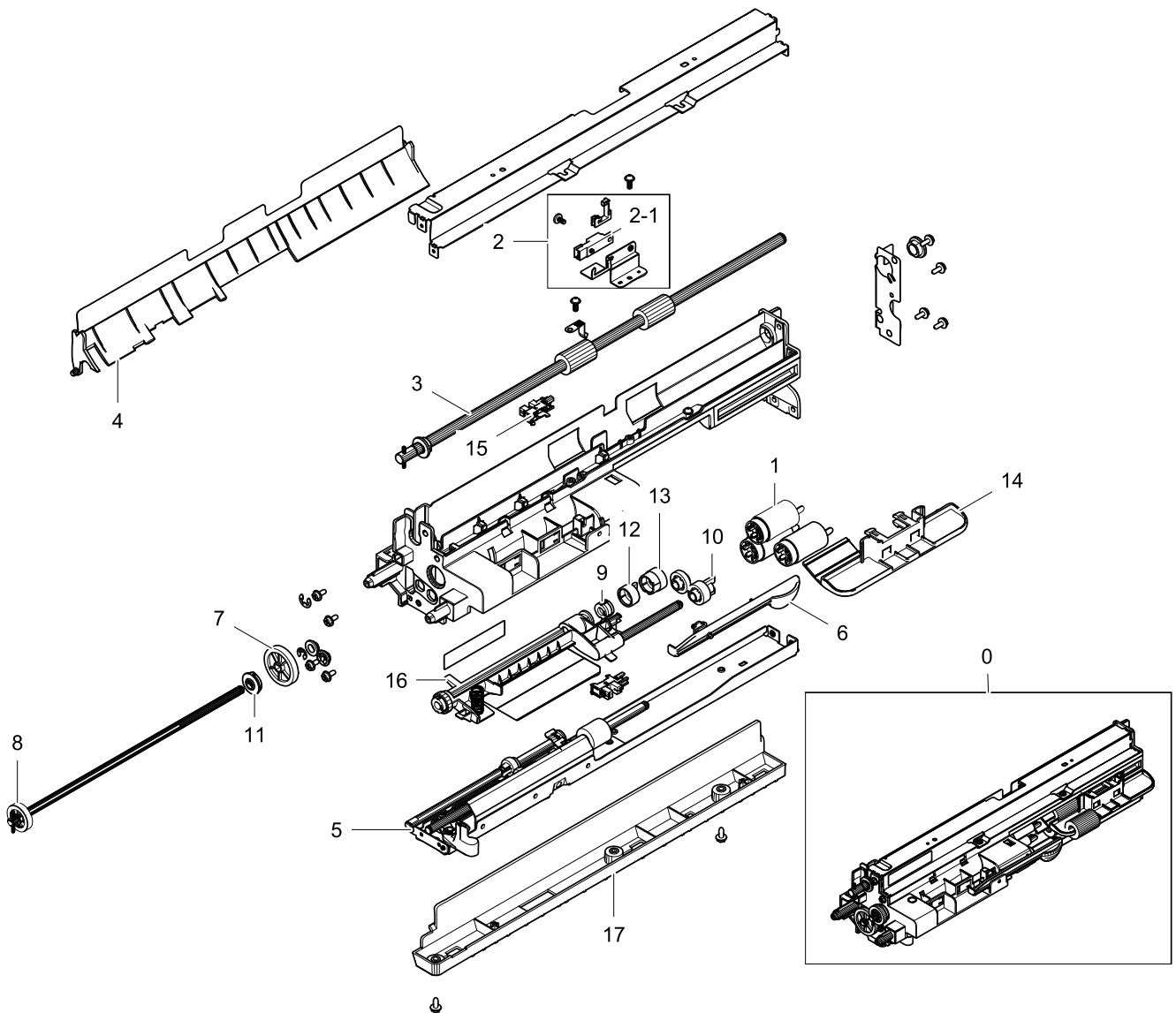
No.	Lvl.	Loc.	Material Code	Description & Specification	SNA	Qty.
11	2		JC91-01145A	FUSER-GUIDE OUTPUT PR SUB; SCX-8040ND,WOR	SNA	1
12	2		JC61-03659A	FRAME-FUSER FRONT; SCX-8040,PET+GF,BLACK,	SA	1
13	2		JC91-01094A	FUSER-BRACKET PLATE FRONT SUB; SCX-8040,S	SNA	1
14	2		JC91-00961A	FUSER-LEVER FRONT; SCX-8040ND,SEC,WORLD	SNA	1
15	2		JC66-02523A	LEVER-PRESS REAR; SCX-8040ND,SECC,1.6T,W1	SA	2
16	2		JC61-05818A	BUSH-BELT FRONT; SCX-8240NA,PPS,L38,BLACK	SNA	1
17	2		JC91-00962A	FUSER-LEVER REAR; SCX-8040ND,SEC,WORLD	SNA	1
18	2		JC61-03660A	FRAME-FUSER REAR; SCX-8040,PET+GF,BLACK,2	SA	1
19	2		JC61-05817A	BUSH-BELT REAR; SCX-8240NA,PPS,L38,BLACK	SNA	1
20	2		JC61-03604A	BRACKET-RELEASE REAR; SCX-8040,SECC,1.6T,	SA	2
21	2		JC61-05821A	HOLDER-INNER; SCX-8240NA,LCP,T1.5,W373.3,	SNA	1
22	2		6601-002415	BEARING BALL; L-1680HHMTRLY13,ID8,OD16,68	SA	2
23	2		JC61-05822A	HOLDER-HARNESS; SCX-8240NA,PET+GF,T2.0,W3	SNA	1
24	2		JC61-03611A	BRACKET-CENTER; SCX-8040,SECC,1.6T,W479.9	SA	1
25	2		JC61-03614A	BRACKET-INPUT PR; SCX-8040,SECC,1.6T,W335	SA	1
26	2		JC61-04547A	BRACKET-REFLECTOR; CLX-9201,AL,T0.3,W351,	SNA	1
27	2		JC91-01065A	FUSER-BRACKET INNER; CLX-9201,SEC,EXP	SNA	1
28	2		JC61-04624A	PLATE-NIP; CLX-9201,AL,T0.3,W343,L25,TEFL	SNA	1
29	2		JC61-03612A	BRACKET-BACK; SCX-8040,SECC,1.6T,W385.4,L	SA	1
30	2		JC61-03602A	BRACKET-BELT; SCX-8040,SECC,1.6T,W384,L32	SA	1
31	2		JC91-01091A	FUSER-BRACKET MAIN SUB; SCX-8040,SEC,WORL	SNA	1
32	2		JC91-01097A	FUSER-HOLDER BIAS SUB; SCX-8040,SEC,WORLD	SNA	1
33	2		JC91-01092A	FUSER-BRACKET SPRING REAR SUB; SCX-8040,S	SNA	1

Exploded Views and Parts List

No.	Lvl.	Loc.	Material Code	Description & Specification	SNA	Qty.
34	2		JC61-04050A	BRACKET-BRUSH; SCX-8040ND,EGI-SECC,1.0T,W	SA	1
35	2		JC61-03645A	HOLDER-LAMP FRONT; SCX-8040,STS,0.3T,W41.	SNA	1

6. FRAME MAIN PICK UP

Exploded View



Parts List

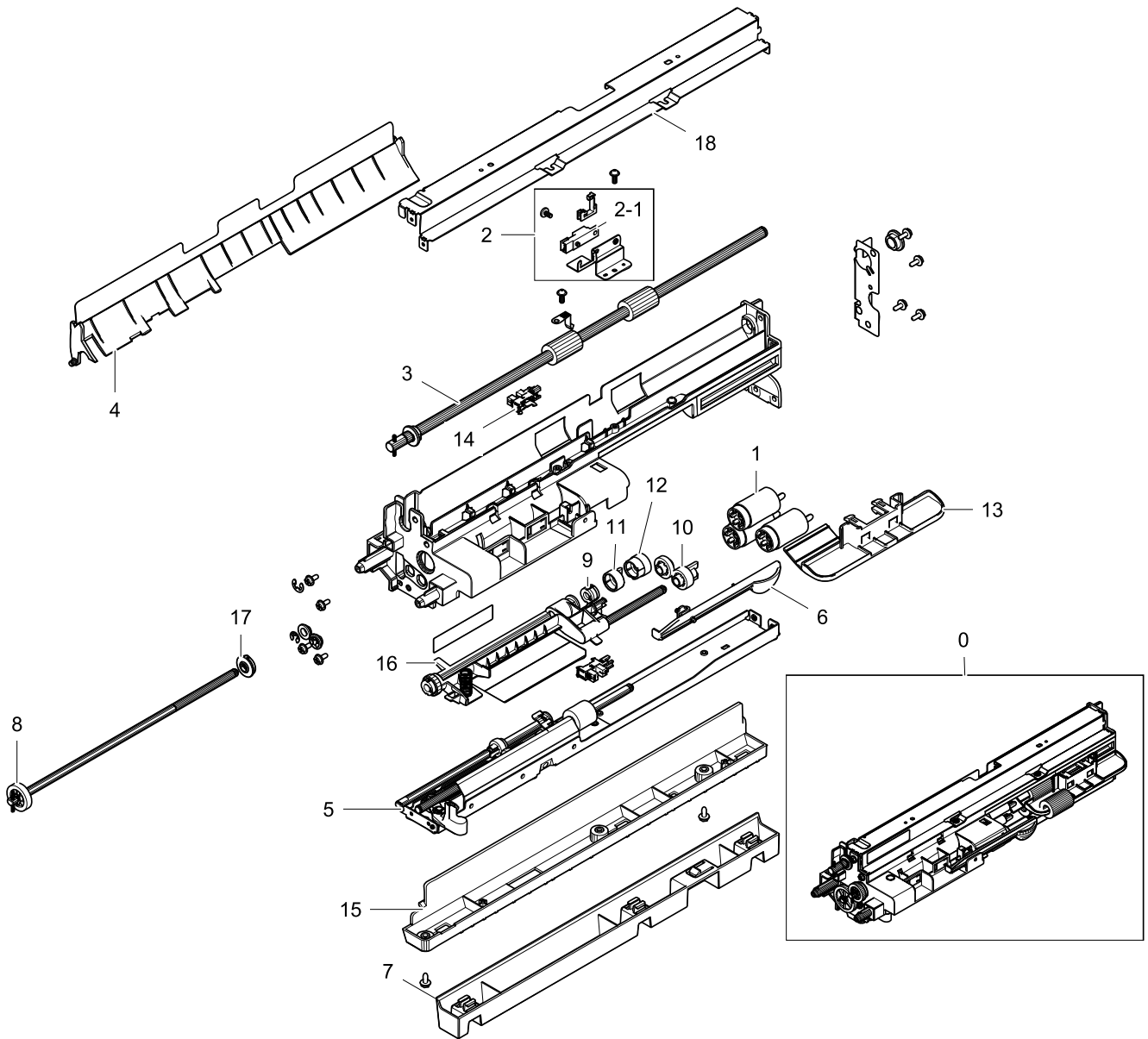
No.	Lvl.	Loc.	Material Code	Description & Specification	SNA	Qty.
0	1		JC93-00070A	FRAME MAIN-PICK UP; CLX-9350,SEC	SA	1
1	2		JC93-00540A	FRAME-MAIN PICK UP ROLLER; CLX-9201,0,EXP	SA	3
2	2		JC93-00082A	FRAME MAIN-PICK UP FEED SENSOR; CLX-9350,	SA	1
2-1	3		0604-001381	PHOTO-INTERRUPTER; DIODE,DIP	SA	1
3	2		JC93-00081A	FRAME MAIN-PICK UP ROLLER FEED; CLX-9350,	SA	1
4	2		JC93-00080A	FRAME MAIN-PICK UP GUIDE REAR; CLX-9350,S	SA	1

Exploded Views and Parts List

No.	Lvl.	Loc.	Material Code	Description & Specification	SNA	Qty.
5	2		JC93-00071A	FRAME MAIN-PICK UP RETARD; CLX-9350,SEC	SA	1
6	2		JC66-02231A	ACTUATOR-EMPTY PU; CLX-9350,PC,21,21,123,	SA	1
7	2		JC66-02146A	GEAR-RETARD SUPPORT; CLX-9350,POM,M1,Z28,	SA	1
8	2		JC93-00074A	FRAME MAIN-PICK UP FOWARD; CLX-9350,SEC	SA	1
9	2	H3704	JC66-00977A	CLUTCH-P_ONE WAY; SCX-6345N/XRX,STS304,0.	SA	3
10	2	I5681	JC66-00943A	GEAR-M_PU JOINT; SCX-6345N/XRX,POM,0.7,21	SA	1
11	2		JC61-03264A	HOUSING-ONE WAY FORWARD; CLX-9350,ABS HF-	SA	1
12	2	I7155	JC61-01288A	HOLDER-M_IDLE ONE WAY; SCX-6345N/XRX,POM,	SA	1
13	2	I5669	JC66-00941A	GEAR-M_ONE WAY; SCX-6345N/XRX,POM,0.7,21,	SA	1
14	2		JC61-03211A	GUIDE-SLIDE PICKUP; CLX-9350,POM,GUIDE	SA	1
15	2	E9322	0604-001393	PHOTO-INTERRUPTER; TR,75mW,BGA,TR	SA	1
16	2		JC61-03148A	GUIDE-FORWARD PICKUP; CLX-9350,PC,169,55,	SA	1
17	2		JC61-03146A	GUIDE-BOTTOM PICKUP; CLX-9350,ABS,359,33,	SNA	1

7. FRAME MAIN PICK UP 2nd

Exploded View



Parts List

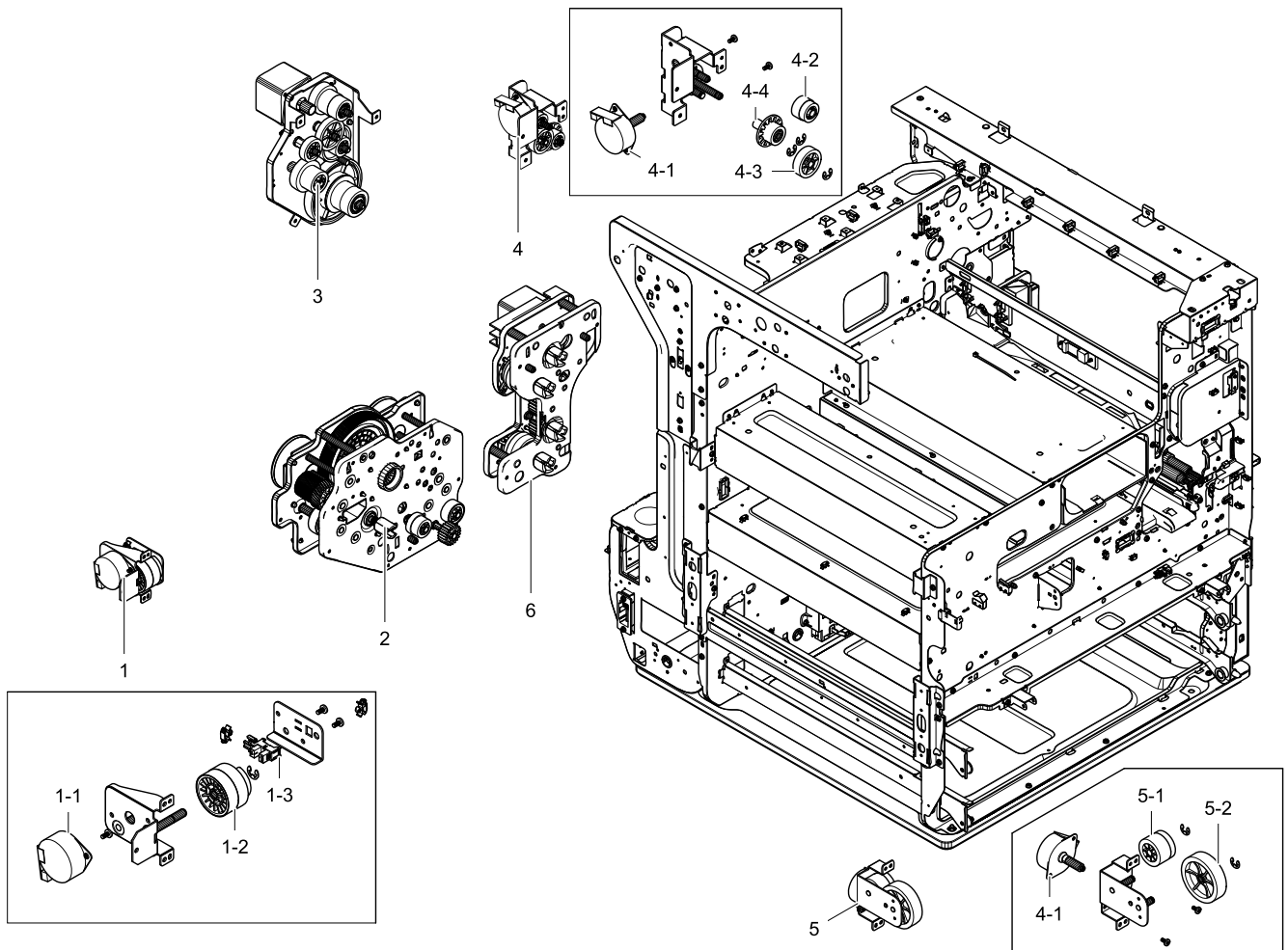
No.	Lvl.	Loc.	Material Code	Description & Specification	SNA	Qty.
0	1		JC93-00174A	FRAME MAIN-PICK UP SECOND; CLX-9350,SEC	SA	1
1	2		JC93-00540A	FRAME-MAIN PICK UP ROLLER; CLX-9201,0,EXP	SA	3
2	2		JC93-00082A	FRAME MAIN-PICK UP FEED SENSOR; CLX-9350,	SA	1
2-1	4		0604-001381	PHOTO-INTERRUPTER; DIODE,DIP	SA	1
3	2		JC93-00081A	FRAME MAIN-PICK UP ROLLER FEED; CLX-9350,	SA	1

Exploded Views and Parts List

No.	Lvl.	Loc.	Material Code	Description & Specification	SNA	Qty.
4	2		JC93-00080A	FRAME MAIN-PICK UP GUIDE REAR; CLX-9350,S	SA	1
5	2		JC93-00071A	FRAME MAIN-PICK UP RETARD; CLX-9350,SEC	SA	1
6	2		JC66-02231A	ACTUATOR-EMPTY PU; CLX-9350,PC,21,21,123,	SA	1
7	2		JC61-03147A	GUIDE-TAKEAWAY; CLX-9350,ABS,359,25.5,BLA	SNA	1
8	2		JC93-00074A	FRAME MAIN-PICK UP FOWARD; CLX-9350,SEC	SA	1
9	2	H3704	JC66-00977A	CLUTCH-P_ONE WAY; SCX-6345N/XRX,STS304,0.	SA	3
10	2	I5681	JC66-00943A	GEAR-M_PU JOINT; SCX-6345N/XRX,POM,0.7,21	SA	1
11	2	I7155	JC61-01288A	HOLDER-M_IDLE ONE WAY; SCX-6345N/XRX,POM,	SA	1
12	2	I5669	JC66-00941A	GEAR-M_ONE WAY; SCX-6345N/XRX,POM,0.7,21,	SA	1
13	2		JC61-03211A	GUIDE-SLIDE PICKUP; CLX-9350,POM,GUIDE	SA	1
14	2	E9322	0604-001393	PHOTO-INTERRUPTER; TR,75mW,BGA,TR	SA	1
15	2		JC61-03146A	GUIDE-BOTTOM PICKUP; CLX-9350,ABS,359,33,	SNA	1
16	2		JC61-03148A	GUIDE-FORWARD PICKUP; CLX-9350,PC,169,55,	SA	1
17	2		JC61-03264A	HOUSING-ONE WAY FORWARD; CLX-9350,ABS HF-	SA	1
18	2		JC61-03154A	BRACKET-UPPER PU; CLX-9350,SECC,0.8T	SNA	1

8. DRIVE

Exploded View



Parts List

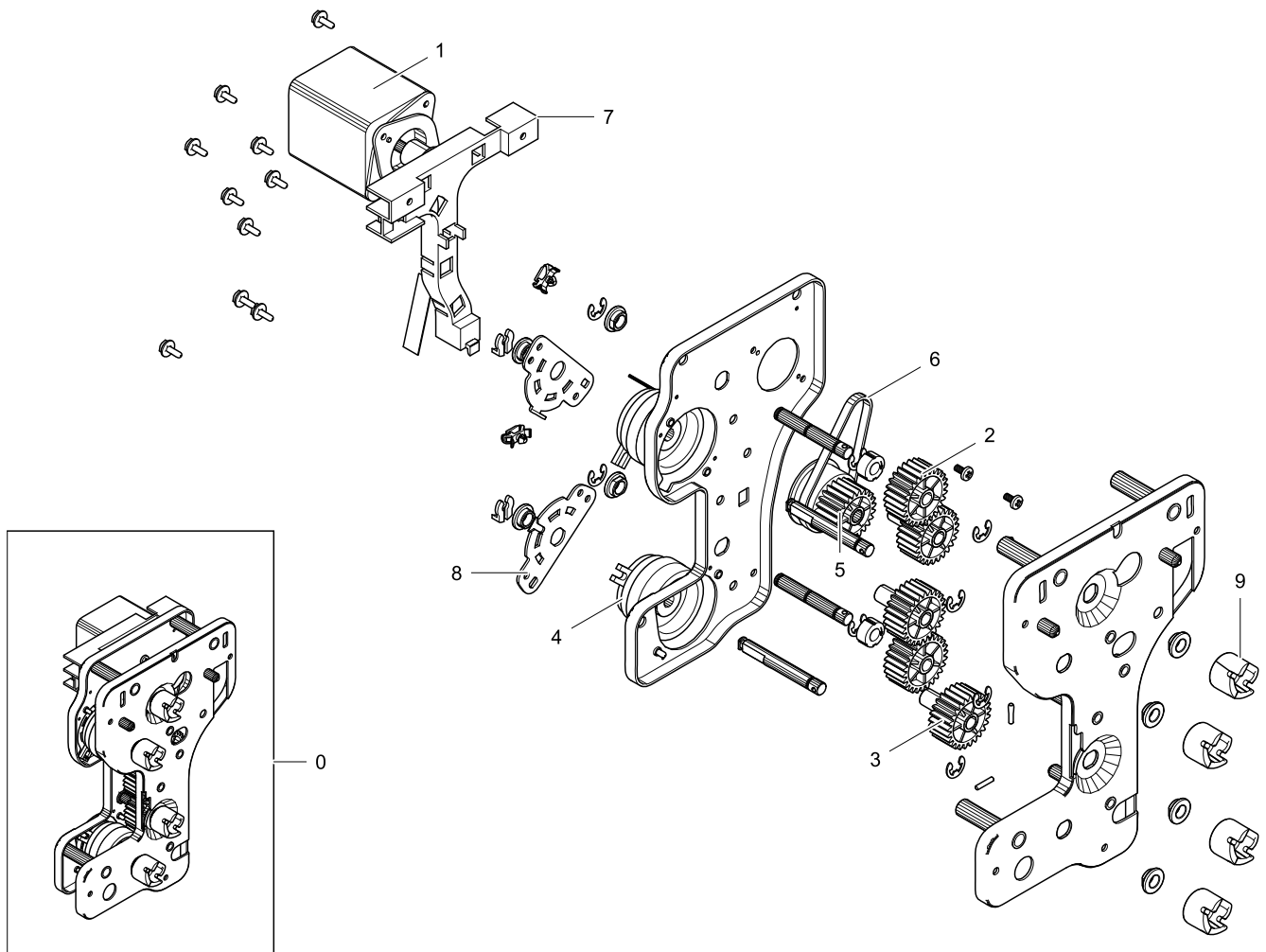
No.	Lvl.	Loc.	Material Code	Description & Specification	SNA	Qty.
1	2		JC93-00121B	DRIVE-DUCT; SEC,SCX-8240	SA	1
1-1	3	E1337	JC31-00110A	MOTOR CIRCUIT-STEP; CLX-3170,24V	SA	1
1-2	3		JC66-02499A	GEAR-DUCT_RDCN; SCX-8040ND,POM,M0.4/ M1.5	SNA	1
1-3	3	E9322	0604-001393	PHOTO-INTERRUPTER; TR,75mW,BGA,TR	SA	1
2	2		JC93-00118B	DRIVE-MAIN; SCX-8240,SEC	SA	1
3	2		JC93-00119B	DRIVE-EXIT; SEC,30,SEC,GRAY,50K,SCX-8240	SA	1
4	2		JC93-00120A	DRIVE-RELEASE; SEC,9.6,202.8*93.9,XEROX,N	SA	1
4-1	3		JC31-00110C	MOTOR CIRCUIT-STEP; CLX-9350,24V	SA	1
4-2	3		JC66-02495A	GEAR-WORM_WHEEL; SCX-8040ND,POM,M0.6/ M0.	SNA	1
4-3	3		JC66-02498A	GEAR-PR_RDCN; SCX-8040ND,POM,M0.8,Z32,NAT	SNA	1

Exploded Views and Parts List

No.	Lvl.	Loc.	Material Code	Description & Specification	SNA	Qty.
4-4	3		JC66-01954A	GEAR-ENCORDER; ML-5050N,POM,0.8,21,18.4,e	SNA	1
5	2		JC93-00067A	DRIVE-WTB; SEC,17.1,139.2*103.2,TRANSLUCE	SA	1
5-1	3		JC66-02224A	GEAR-WTB_RDCN; CLX-9350,POM,M1.5/ M0.6,Z1	SNA	1
5-2	3		JC66-02225A	GEAR-WTB_IDLE A; CLX-9350,POM,M1.5,Z29,BL	SNA	1
6	2		JC93-00065A	DRIVE-PICK UP; SEC,CLX-9350	SA	1

8.1. DRIVE PICK UP

Exploded View



Parts List

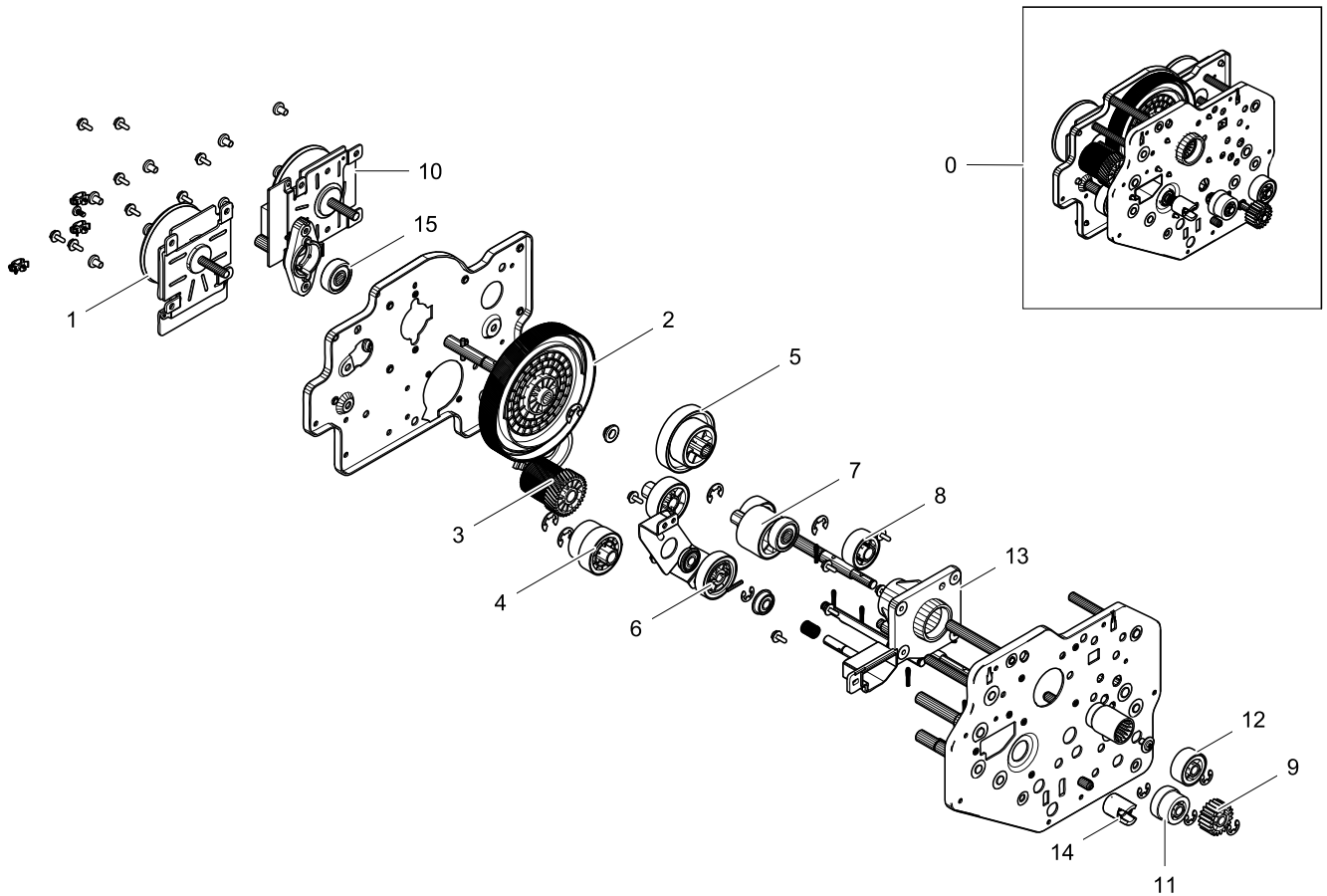
No.	Lvl.	Loc.	Material Code	Description & Specification	SNA	Qty.
0	2		JC93-00065A	DRIVE-PICK UP; SEC,CLX-9350	SA	1
1	3		JC31-00132A	MOTOR STEP 1P; CLX-9350,HB,2,3.4V,1677 ~	SA	1
2	3		JC66-02168A	GEAR-IDLE_FEED; CLX-9350,POM,M1.0,Z26,WHI	SNA	2
3	3		JC66-02167A	GEAR-IDLE_PICKUP; CLX-9350,POM,M1.0,Z25,W	SNA	3
4	3		JC47-00037A	CLUTCH-ELECTRIC; 5,32,1,120mA,200Ohm	SA	1
5	3		JC66-02169A	GEAR-PULLEY_RDCN_PICKUP; CLX-9350,POM,M1.	SNA	1
6	3		6602-001729	BELT-TIMING GEAR; 40S2M152,RUBBER,W4.0,L1	SNA	1
7	3		JC61-03453A	GUIDE-HARNESS_PICKUP; CLX-9350,ABS+PC,W91	SA	1

Exploded Views and Parts List

No.	Lvl.	Loc.	Material Code	Description & Specification	SNA	Qty.
8	3		JC61-05808A	BRACKET-CLUTCH PICKUP; CLX-9350,EGI-SECE,	SNA	1
9	3		JC67-00369A	COUPLER-DRIVE_PICKUP; CLX-9350,POM,D17*H1	SNA	4

8.2. DRIVE MAIN

Exploded View



Parts List

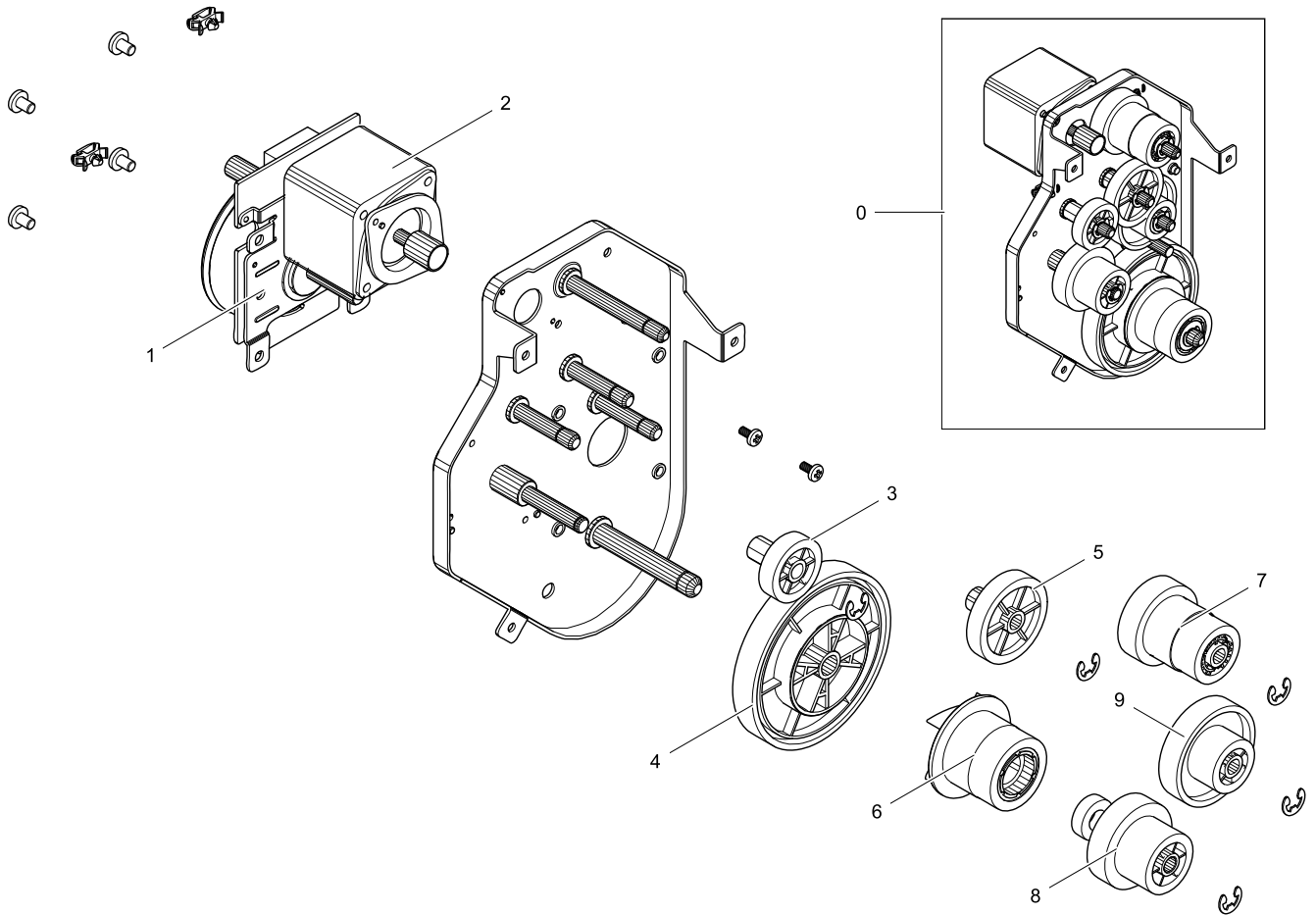
No.	Lvl.	Loc.	Material Code	Description & Specification	SNA	Qty.
0	2		JC93-00118B	DRIVE-MAIN; SCX-8240,SEC	SA	1
1	3		JC31-00123A	MOTOR BLDC; 2000rpm,1200gfcM,24V,2.8A,150	SA	1
2	3		JC66-02148A	GEAR-DRIVE OPC; CLX-9350,POM,M0.3,Z300,OD	SNA	1
3	3		JC66-02150A	GEAR-RDCN MAG; CLX-9350,POM,M0.3/ M0.8,Z8	SNA	1
4	3		JC66-02461A	GEAR-IDLE_MAG; SCX-8040ND,POM,M0.8,Z34,NA	SNA	1
5	3		JC66-02463A	GEAR-REGI_RDCN; SCX-8040ND,POM,M0.5/ M1.0	SNA	1
6	3		JC66-02462A	GEAR-CLUTCH; SCX-8040ND,POM,M0.8,Z35,NATU	SNA	1
7	3		JC66-02464A	GEAR-REGI_IDLE; SCX-8040ND,POM,M1.0,Z28,N	SNA	1
8	3		JC66-02467A	GEAR-DUPLEX_IDLE_A; SCX-8040ND,POM,M1.0,Z	SNA	1

Exploded Views and Parts List

No.	Lvl.	Loc.	Material Code	Description & Specification	SNA	Qty.
9	3		JC66-02171A	GEAR-IDLE_MP; CLX-9350,POM,M1.0,Z20,WHITE	SA	1
10	3		JC31-00123B	MOTOR BLDC; 2000rpm,1200gfcM,24V,2.8A,150	SA	1
11	3		JC66-02465A	GEAR-REGI_DRIVE; SCX-8040ND,POM,M0.8,Z23,	SNA	1
12	3		JC66-02469A	GEAR-DUPLEX_DRIVE; SCX-8040ND,POM,M1.0,Z2	SNA	1
13	3		JC61-03548A	HOLDER-SLEEVE_OPC; SCX-8040ND,PC,W103.5,B	SNA	1
14	3		JC66-02268A	COUPLER-CLUTCH-AUGER MAG; CLX-9350,POM,OD	SA	1
15	3		6601-002694	BEARING BALL; 608ZZ,ID8.0,OD22.0,L7.0,STA	SNA	2

8.3. DRIVE EXIT

Exploded View

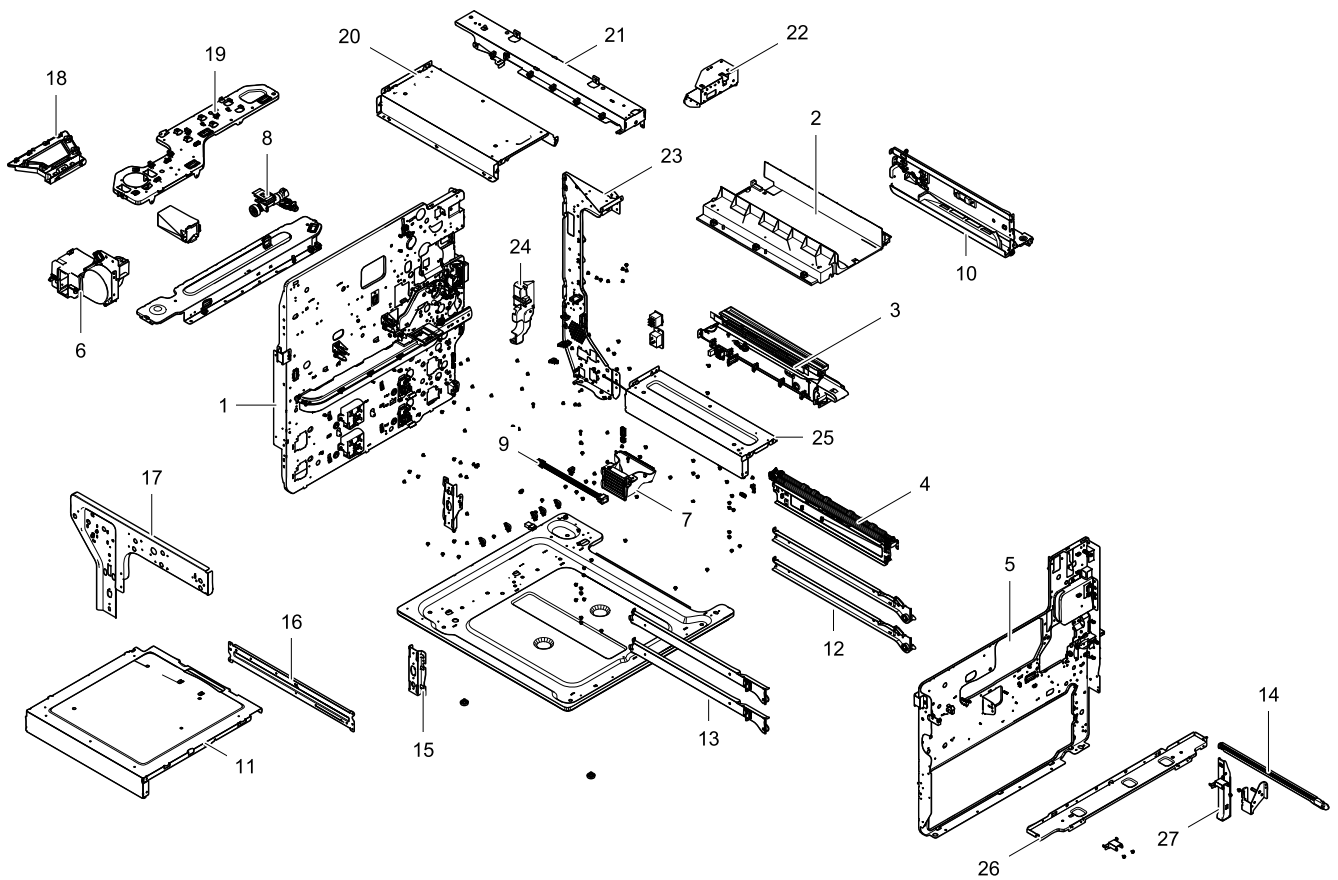


Parts List

No.	Lvl.	Loc.	Material Code	Description & Specification	SNA	Qty.
0	2		JC93-00119B	DRIVE-EXIT; SCX-8240,SEC	SA	1
1	3		JC31-00123B	MOTOR BLDC; 2000rpm,1200gfcM,24V,2.8A,150	SA	1
2	3		JC31-00131A	MOTOR STEP; CLX-9350,0.9A,3.78V,80MAX	SA	1
3	3		JC66-02228A	GEAR-EXIT_IDLE B; CLX-9350,POM,M1.0,Z23,W	SNA	1
4	3		JC66-02264A	GEAR-FUSER A; CLX-9350,POM,M0.5,Z130,WHIT	SNA	1
5	3		JC66-02227A	GEAR-EXIT_IDLE A; CLX-9350,POM,M1.0,Z32,W	SNA	1
6	3		JC66-02220A	GEAR-FUSER B; CLX-9350,NYLON,M1.0,Z25,NAT	SNA	1
7	3		JC66-02230A	GEAR-DUP_RDCN; CLX-9350,POM,M1.0/ M0.5,Z2	SNA	1
8	3		JC66-03874A	GEAR-RDCN EXIT C; CLX-9350,POM,1.0,22,32,	SA	1
9	3		JC66-02226A	GEAR-EXIT_RDCN; CLX-9350,POM,M0.5/ M1.0,Z	SNA	1

9. FRAME MAIN

Exploded View



Parts List

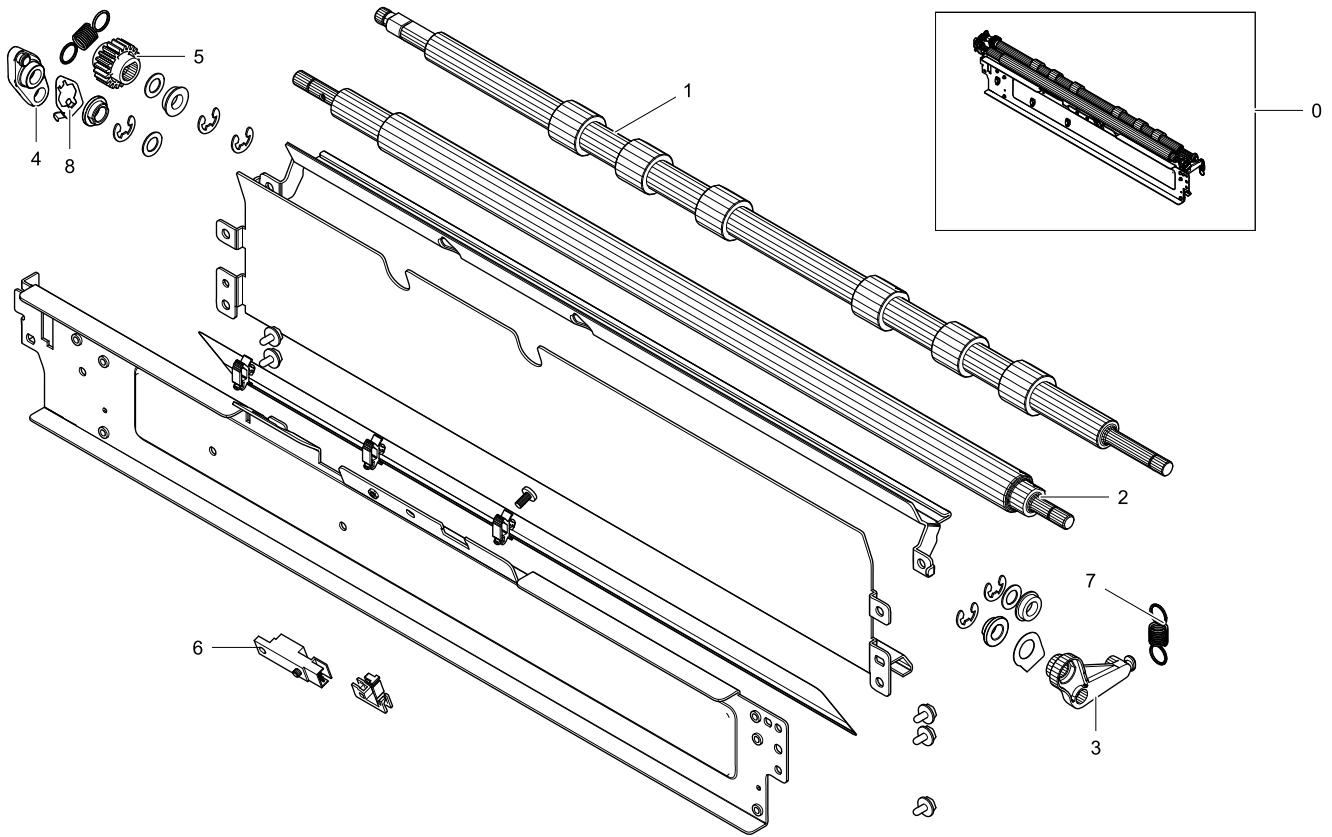
No.	Lvl.	Loc.	Material Code	Description & Specification	SNA	Qty.
1	2		JC93-00130D	FRAME MAIN-REAR; SCX-8240,SEC,WORLD	SNA	1
2	2		JC61-03676A	GUIDE-TONER BOTTLE; SCX-8040,HIPS,77.5,28	SNA	1
3	2		JC93-00141A	FRAME-MIDDLE DUCT; SCX-8040,SEC,WORLD	SNA	1
4	2		JC93-00116C	FRAME MAIN-REGI; SCX-8240,SEC	SNA	1
5	2		JC93-00142D	FRAME MAIN-FRONT; SCX-8240,SEC,WORLD	SNA	1
6	2		JC93-00008A	FRAME MAIN-REAR DUCT OZONE; CLX-9350,SEC,	SA	1
7	2		JC67-00484A	DUCT-OPC MID; SCX-8040,HIPS,58.25,87.7,12	SNA	1
8	2		JC93-00129A	FRAME-DUCT; SCX-8040,SEC	SA	1
9	3		JC39-01937A	HARNESS-HEATER S/W 2; CLX-9352NA,UL1617,4	SNA	1
10	2		JC93-00140B	FRAME-MIDDLE SUPPORT FUSER; SCX-8240,SEC,	SNA	1

Exploded Views and Parts List

No.	Lvl.	Loc.	Material Code	Description & Specification	SNA	Qty.
11	2		JC61-03558A	PLATE-LSU LOWER; SCX-8040ND,EGI-SECC,1.0,	SNA	1
12	2		JC93-00030A	FRAME MAIN-RIGHT CST RAIL; CLX-9350,SEC,W	SA	2
13	2		JC93-00029A	FRAME MAIN-LEFT CST RAIL; CLX-9350,SEC,WO	SA	2
14	2		JC93-00078B	FRAME-REGI HOLDER DUST; SCX-8040,SEC,WORL	SA	1
15	2		JC61-03281A	BRACKET-FINISHER LOWER; CLX-9350,SECC,1.6	SNA	2
16	2		JC61-03027A	PLATE-SUPPORT LEFT; CLX-9350,EGI-SECC,1.2	SNA	1
17	2		JC93-00012B	FRAME MAIN-LEFT SUPPORT SCAN; CLX-9350,SE	SNA	1
18	2		JC61-03673A	GUIDE-HARNESS LOWER; SCX-8040,HIPS,58.2,1	SNA	1
19	2		JC93-00181B	FRAME MAIN-REAR SUPPORT TOP; CLX-9352,SEC	SNA	1
20	2		JC61-03556A	PLATE-TOP RIGHT; SCX-8040,EGI-SECC,1.0,41	SNA	1
21	2		JC93-00019A	FRAME MAIN-UPPER SUPPORT TOP; CLX-9350,SE	SA	1
22	2		JC61-03031A	BRACKET-OP; CLX-9350,SECC,1.6,180,190	SNA	1
23	2		JC93-00179E	FRAME MAIN-REAR SUPPORT RIGHT; CLX-9352,S	SNA	1
24	3		JC61-03563A	HOLDER-ALIGN REAR; SCX-8040,PC+GF,36.6,62	SA	1
25	2		JC61-03557A	PLATE-TOP LEFT; SCX-8040ND,EGI-SECC,1.0,4	SNA	1
26	2		JC61-02964A	PLATE-SUPPORT HINGE FRONT; CLX-9350,EGI-S	SNA	1
27	2		JC93-00011A	FRAME MAIN-RIGHT HANDLE; CLX-9350,SEC,WOR	SA	1

9.1. FRAME MAIN REGI

Exploded View

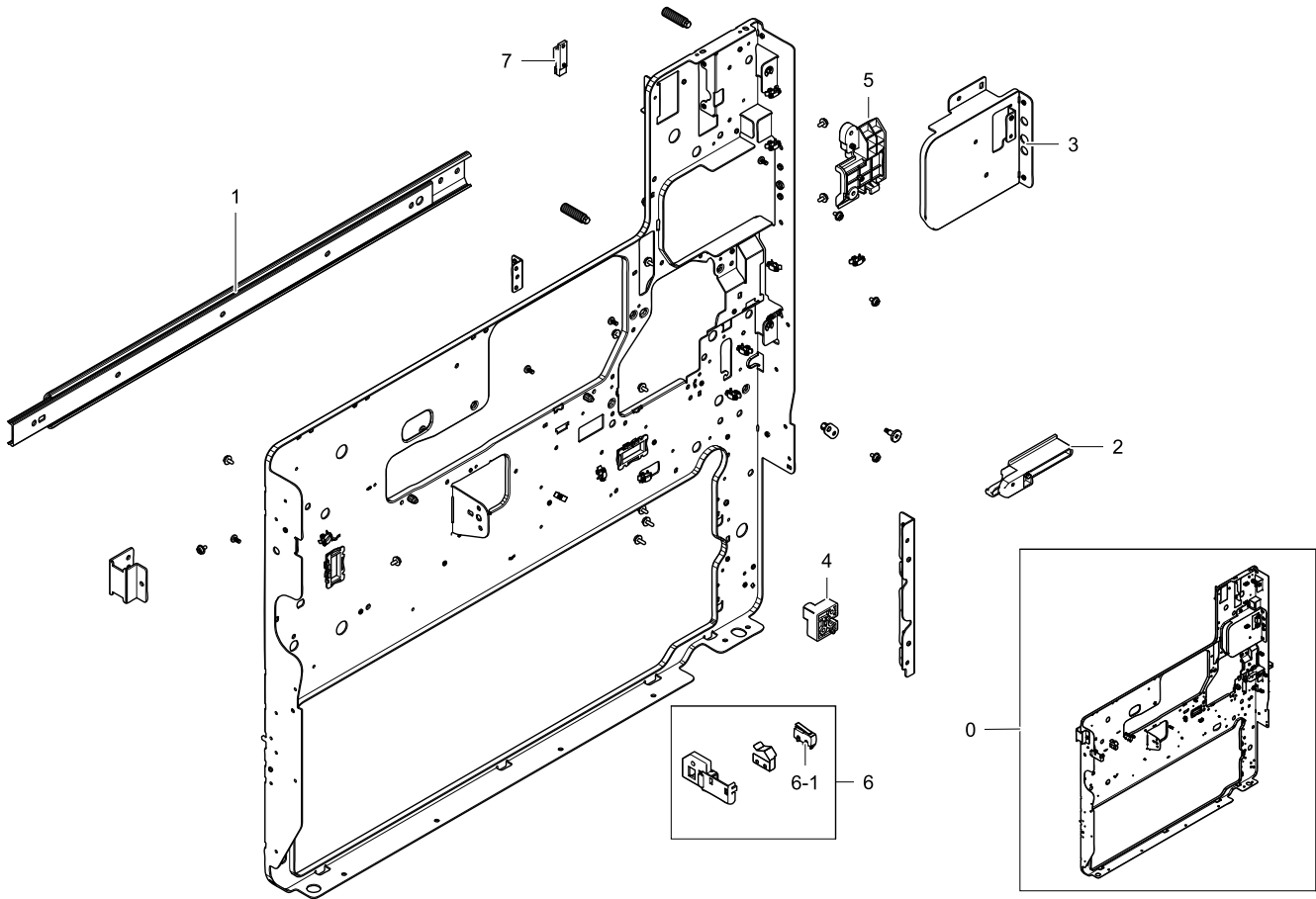


Parts List

No.	Lvl.	Loc.	Material Code	Description & Specification	SNA	Qty.
0	2		JC93-00116C	FRAME MAIN-REGI; SCX-8240,SEC	SNA	1
1	4		JC66-03893A	ROLLER IDLE-REGI; CLX-9352NA,EPDM,SUM22,1	SA	1
2	4		JC66-02755A	SHAFT-REGI; SCX-8040ND,SUM 22,414.8,6	SNA	1
3	5		JC61-03624A	HOLDER-SHAFT_REGI_FRONT; SCX-8040,POM,11.	SNA	1
4	5		JC61-03213A	HOLDER-SHAFT REGI; CLX-9350,POM,T8,W10,L3	SNA	1
5	4		JC66-02145A	GEAR-ROLLER REGI; CLX-9350,POM,M0.8,Z21,W	SA	1
6	3		0604-001381	PHOTO-INTERRUPTER; DIODE,DIP	SA	1
7	3		6107-001759	SPRING-ES; SUS304,PI0.8,L20.8,ID5.6,OD8.0	SA	2
8	5		JC63-02301A	GROUND-SHAFT REGI; CLX-9350,STS,T0.2,W22.	SA	1

9.2. FRAME FRONT

Exploded View

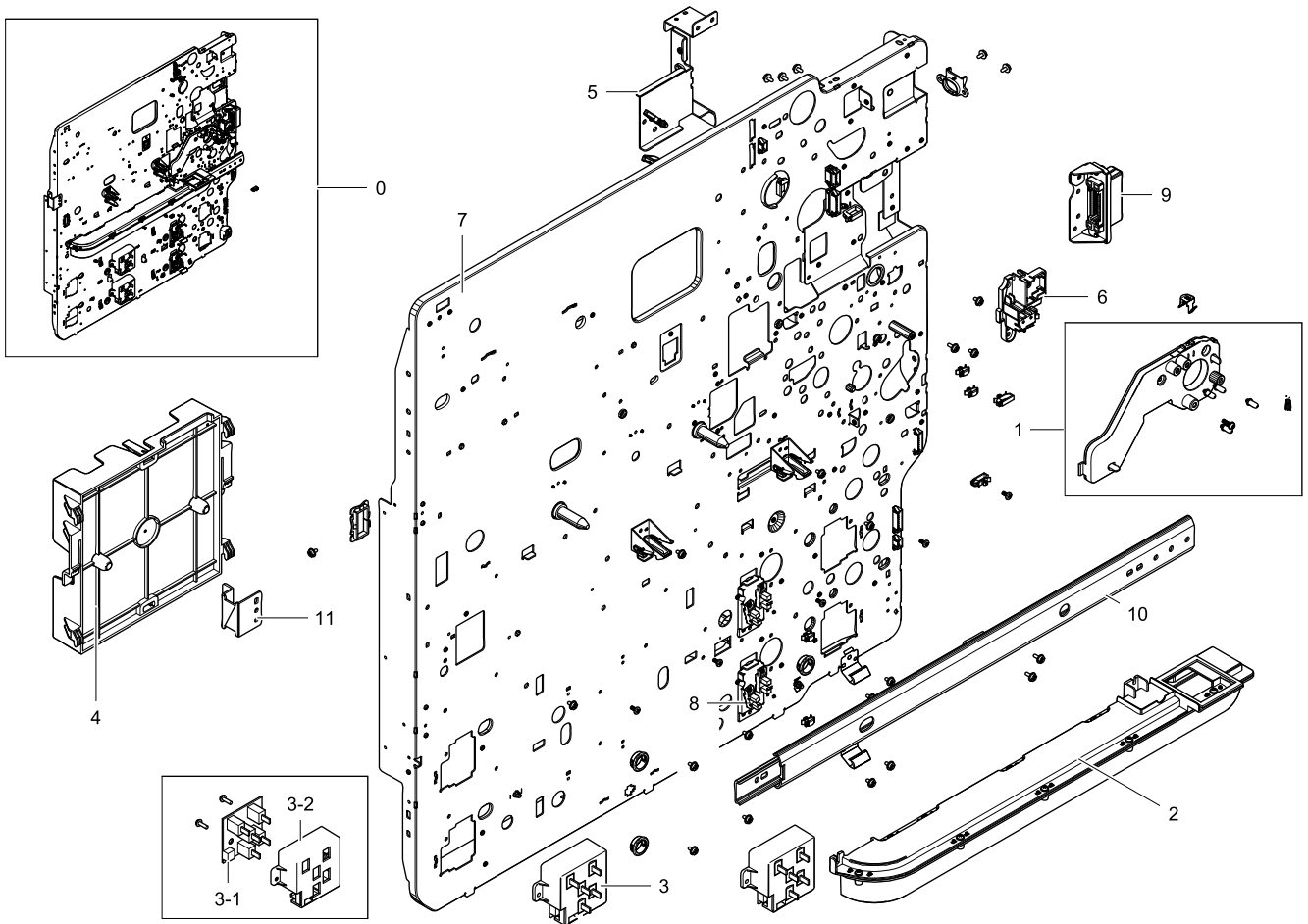


Parts List

No.	Lvl.	Loc.	Material Code	Description & Specification	SNA	Qty.
0	2		JC93-00142D	FRAME MAIN-FRONT; SCX-8240,SEC,WORLD	SNA	1
1	3		JC61-03451A	PLATE-RAIL SIDE; CLX-9350,STS304,30,500,G	SA	1
2	4		JC64-00532A	SHUTTER-OPC; SCX-8040,POM,31.3,31.7,81.2,	SNA	1
3	4		JC61-03584A	BRACKET-FUSER FRONT; SCX-8040,SECC,1.2,12	SNA	1
4	4		JC61-02913A	HOLDER-HINGE MP FRONT; CLX-9350,PC,17,25,	SNA	1
5	4		JC61-03562A	HOLDER-ALIGN FRONT; SCX-8040,PC+GF,21.4,5	SNA	1
6	3		JC93-00182C	FRAME MAIN-FRONT SWITCH OPEN; CLX-9352,SE	SNA	1
6-1	4		JC39-01610A	HARNES-COVER OPEN; CLX-9201,UL10272,150,	SA	1
7	3		0604-001381	PHOTO-INTERRUPTER; DIODE,DIP	SA	1

9.3. FRAME REAR

Exploded View



Parts List

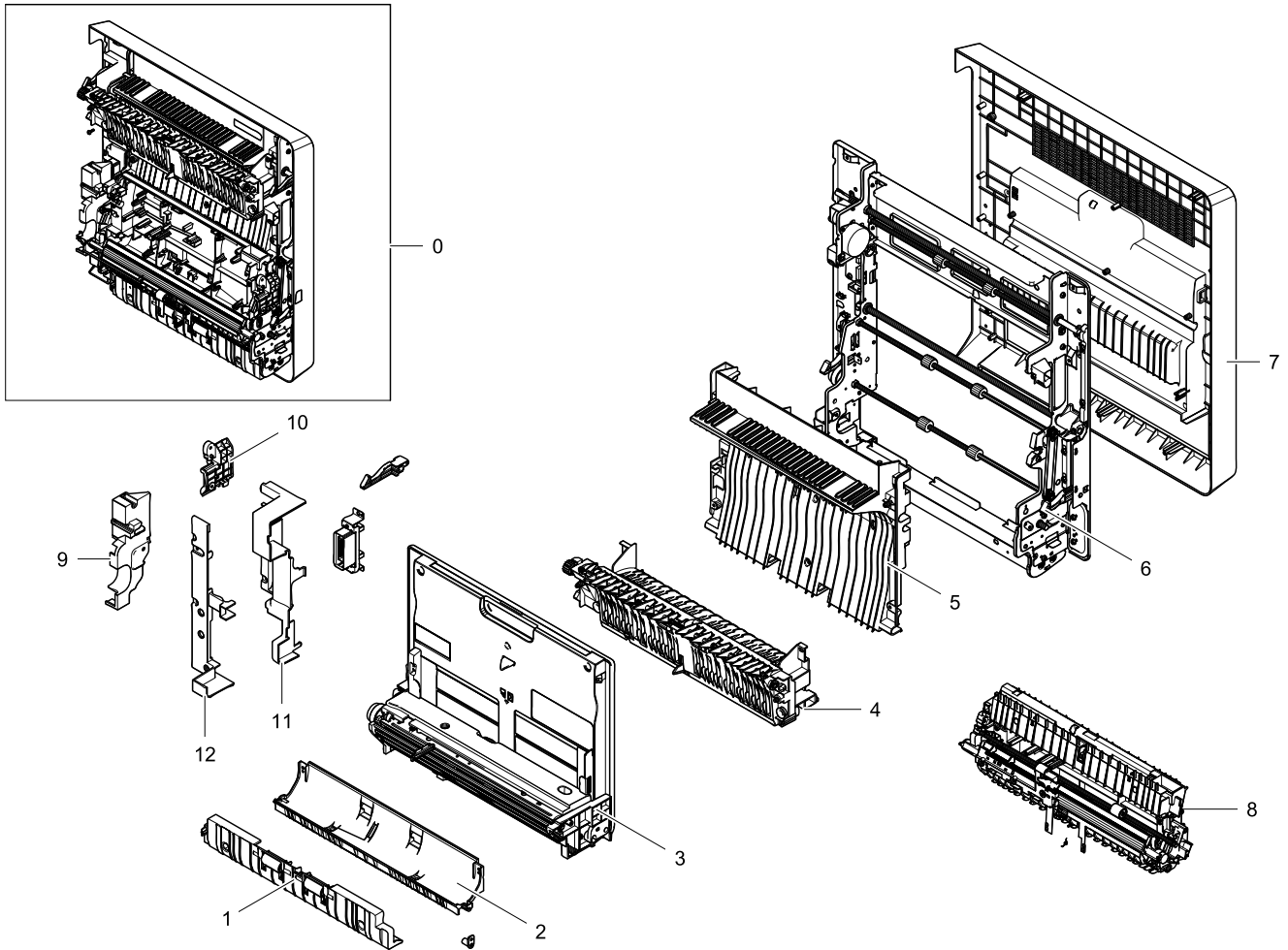
No.	Lvl.	Loc.	Material Code	Description & Specification	SNA	Qty.
0	2		JC93-00130D	FRAME MAIN-REAR; SCX-8240,SEC,WORLD	SNA	1
1	3		JC93-00131A	FRAME-REAR HIGH VOLTAGE; SCX-8040,SEC,WOR	SNA	1
2	3		JC93-00143A	FRAME-REAR DUCT OZONE; SCX-8040,SEC,WORLD	SNA	1
3	3		JC93-00018A	FRAME MAIN-REAR HOLDER AUTOSIZE; CLX-9350	SA	2
3-1	4		JC92-02622A	PBA-PAPER SIZE SENSOR; CLX-9352NA,SEC,FR1	SA	2
3-2	4		JC61-02925A	HOLDER-SENSOR AUTOSIZE; CLX-9350,HIPS,77,	SNA	2
4	3		JC61-03572A	HOLDER-HVPS; SCX-8040,HIPS,43.5,174.5,197	SNA	1
5	4		JC61-03585A	BRACKET-FUSER REAR; SCX-8040,SECC,1.2,124	SNA	1
6	3		JC93-00132B	FRAME-REAR HOLDER ALIGN; SCX-8240,SEC,WOR	SNA	1

Exploded Views and Parts List

No.	Lvl.	Loc.	Material Code	Description & Specification	SNA	Qty.
7	4		JC61-03616A	FRAME-REAR; SCX-8040,EGI-SECC,1.2,657.2,6	SNA	1
8	3	E9322	0604-001393	PHOTO-INTERRUPTER; TR,75mW,BGA,TR	SA	1
9	3		JC93-00283B	FRAME-RIGHT DRAW SIDE; SCX-8240,SEC,WORLD	SNA	1
10	3		JC61-03451A	PLATE-RAIL SIDE; CLX-9350,STS304,30,500,G	SA	1
11	4		JC61-03282A	BRACKET-FINISHER UPPER; CLX-9350,SECC,1.6	SNA	1

10.COVER SIDE

Exploded View



Parts List

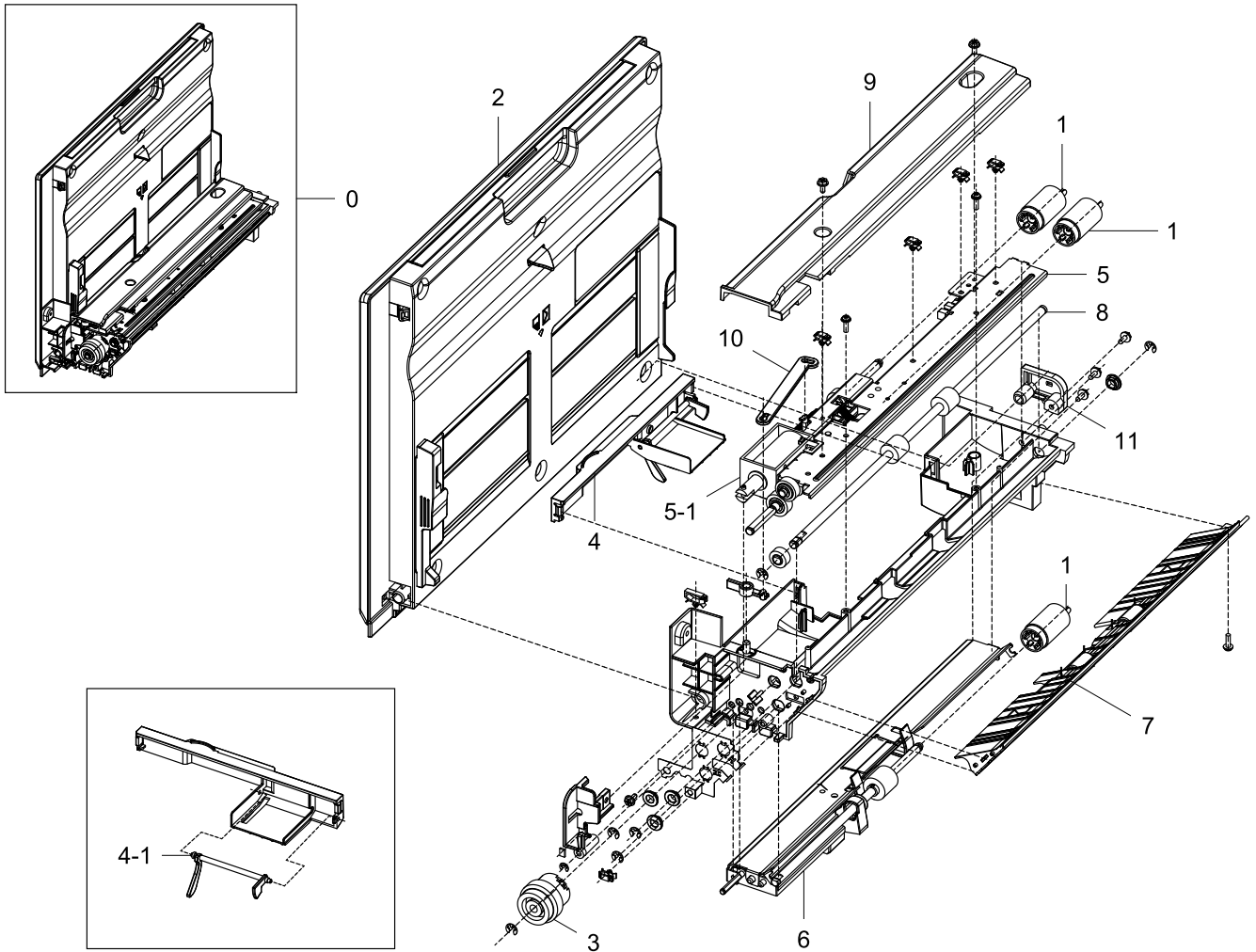
No.	Lvl.	Loc.	Material Code	Description & Specification	SNA	Qty.
0	1		JC95-01137A	COVER-SIDE; SCX-8040,SEC	SNA	1
1	2		JC95-01061A	COVER-SIDE GUIDE LOWER SIDE; CLX-9350,SEC	SA	1
2	2		JC61-02995A	GUIDE-DUPLEX LOWER; CLX-9350,HIPS,BLACK	SA	1
3	2		JC90-00921B	MP; SCX-8040,SEC	SA	1
4	2		JC95-01136A	COVER-SIDE DUPLEX ENTRANCE; SCX-8040,SEC	SA	1
5	2		JC61-03555A	GUIDE-DUPLEX; SCX-8040,ABS+PC,BLACK,PATH	SA	1
6	2		JC95-01135A	COVER-SIDE DUPLEX; SCX-8040,SEC	SA	1
7	2		JC63-02527A	COVER-SIDE; SCX-8040,HIPS,Neutral Gray,PC	SA	1
8	2		JC95-01133A	COVER-SIDE TR; SCX-8040,SEC	SA	1

Exploded Views and Parts List

No.	Lvl.	Loc.	Material Code	Description & Specification	SNA	Qty.
9	3		JC61-03563A	HOLDER-ALIGN REAR; SCX-8040,PC+GF,36.6,62	SA	1
10	4		JC61-03562A	HOLDER-ALIGN FRONT; SCX-8040,PC+GF,21.4,5	SNA	1
11	2		JC63-02526A	COVER-PBA_SIDE; SCX-8040,HIPS,2.0,247.8,7	SA	1
12	2		JC63-02528A	COVER-HARNESS_MP; SCX-8040,HIPS,Neutral G	SA	1

10.1. MP

Exploded View



Parts List

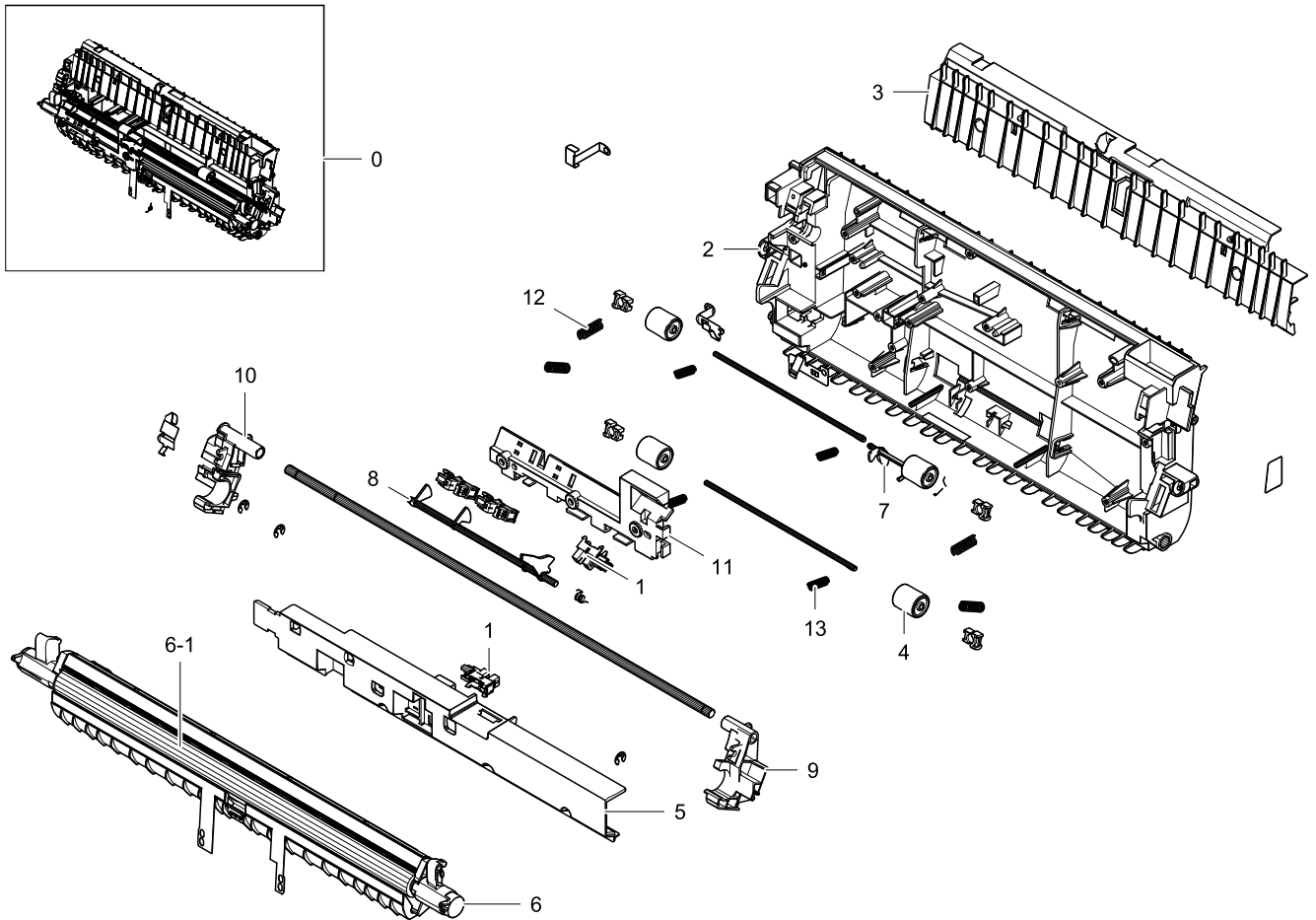
No.	Lvl.	Loc.	Material Code	Description & Specification	SNA	Qty.
0	2		JC90-00921B	MP; SCX-8040,SEC	SA	1
1	3		JC90-00989A	MP-PICK UP RUBBER; CLX-9350,SEC	SA	3
2	3		JC90-00913B	MP-TRAY; SCX-8040,SEC	SA	1
3	3		JC47-00003D	CLUTCH-SPUR; 2.5,24,1,145mA,160Ohm	SA	1
4	3		JC90-00915A	MP-COVER FRONT; CLX-9350,SEC,-,-,-	SNA	1
4-1	4		JC66-02196A	LEVER-EMPTY PAPER; CLX-9350,PC,Black	SA	1
5	3		JC90-00919A	MP-BRACKET PICK UP; CLX-9350,SEC,-,-,-	SA	1
5-1	4		JC33-00029B	SOLENOID-MP; CLX-9350,DC24V,18.4,27*30,	SA	1
6	3		JC90-00917A	MP GUIDE-PICK UP; CLX-9350,SEC,-,-,-	SA	1
7	3		JC90-00916A	MP GUIDE-LOWER; CLX-9350,SEC,-,-,-	SA	1
8	3		JC66-02348A	ROLLER IDLE-FEED MP; CLX-9350,EPDM,SUM22,	SA	1

Exploded Views and Parts List

No.	Lvl.	Loc.	Material Code	Description & Specification	SNA	Qty.
9	3		JC63-02314A	COVER-TOP MP; CLX-9350,HIPS	SNA	1
10	3		JC66-02211A	LINK-MIDDLE MP; CLX-9350,PC,88.9	SNA	1
11	3		JC61-03185A	HINGE-TRAY MP; CLX-9350,POM	SNA	1

10.2. COVER SIDE TR

Exploded View



Parts List

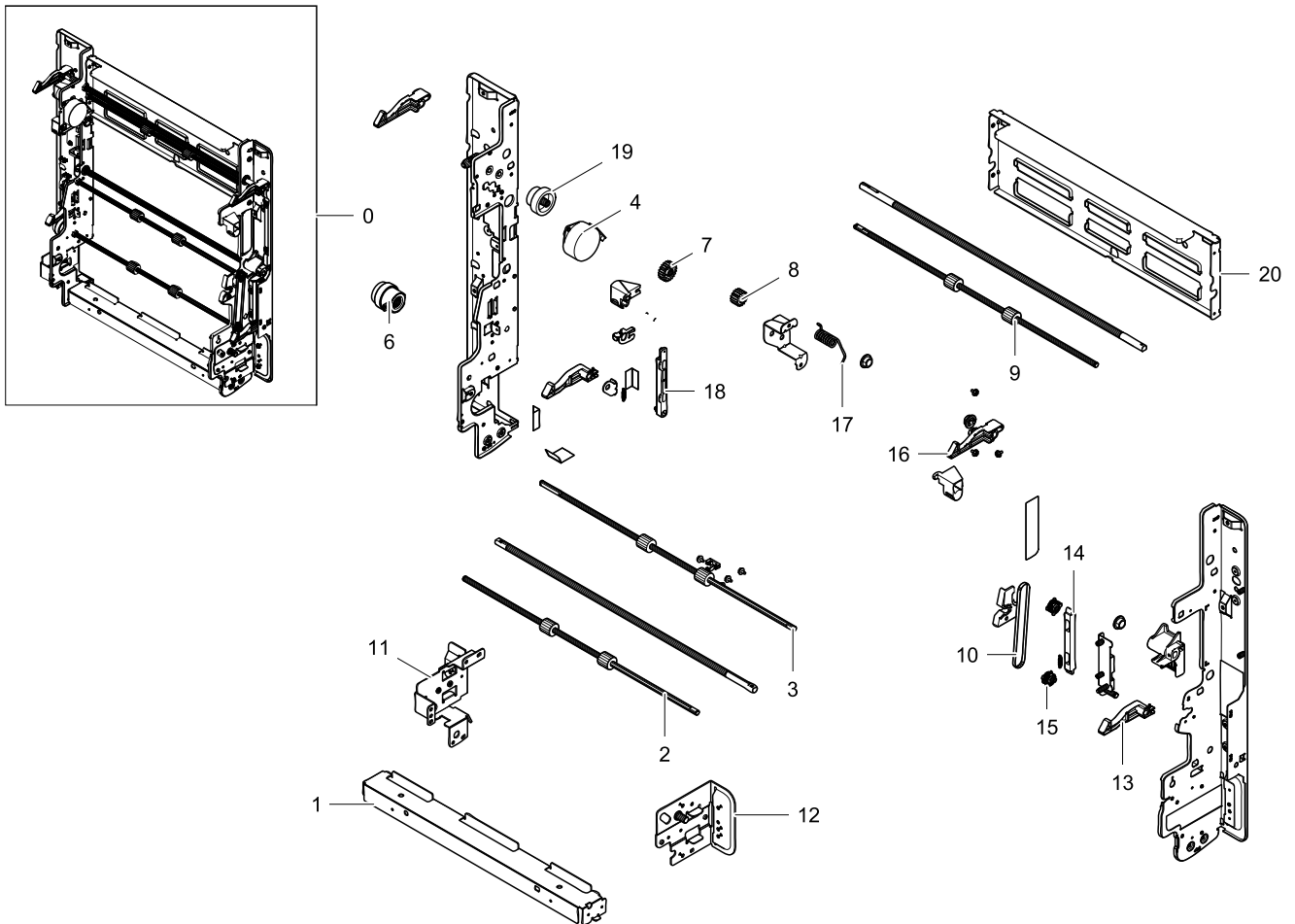
No.	Lvl.	Loc.	Material Code	Description & Specification	SNA	Qty.
0	2		JC95-01133A	COVER-SIDE TR; SCX-8040,SEC	SA	1
1	3	E9322	0604-001393	PHOTO-INTERRUPTER; TR,75mW,BGA,TR	SA	1
2	3		JC61-03546A	GUIDE-FEED; SCX-8040,ABS+PC,BLACK,PATH	SA	1
3	3		JC61-03547A	GUIDE-TR_UPPER; SCX-8040,ABS+PC,BLACK,GUI	SA	1
4	3		JC66-02289A	ROLLER IDLE-RUBBER-IDLE; CLX-9350,POM,SW-	SNA	2
5	3		JC63-02525A	COVER-GUIDE_FEED; SCX-8040,ABS+PC,BLACK	SA	1
6	3		JC95-01134A	COVER-SIDE TR ROLLER; SCX-8040,SEC	SA	1
6-1	4		JC66-02553A	ROLLER TR-TRANSFER; Cosmos,-,75.9mm X 69m	SA	1
7	3		JC66-02180A	ACTUATOR-DUPLEX 2; CLX-9350,PC HN-1064i,B	SA	1

Exploded Views and Parts List

No.	Lvl.	Loc.	Material Code	Description & Specification	SNA	Qty.
8	3		JC66-02206B	ACTUATOR-FUSER IN; SCX-8040ND,NYLON (RAL4	SNA	1
9	3		JC66-02479A	ARM-TR_FRONT; SCX-8040,ABS-GF20,BLACK	SNA	1
10	3		JC66-02480A	ARM-TR_REAR; SCX-8040,ABS-GF20,BLACK	SNA	1
11	3		JC61-03700A	HOLDER-ACT_FUSER_IN; SCX-8040,ABS,Black	SNA	1
12	3		6107-002881	SPRING-CS; SWP B,0.85t,6.1	SA	2
13	3		6107-001731	SPRING-CS; SUS304,PI0.6,L16.6,ID4.7,OD5.9	SA	2

10.3. COVER SIDE DUPLEX

Exploded View



Parts List

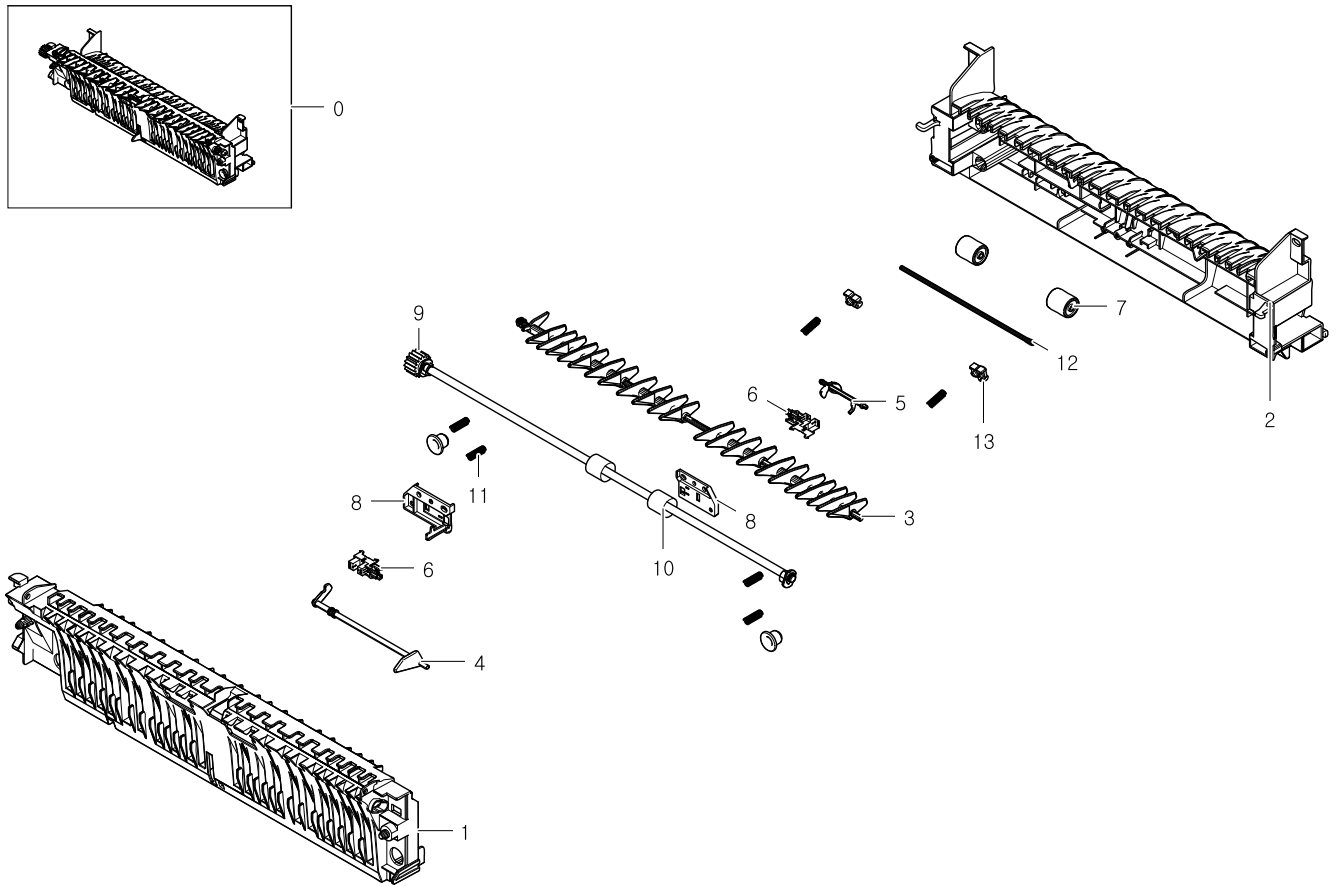
No.	Lvl.	Loc.	Material Code	Description & Specification	SNA	Qty.
0	2		JC95-01135A	COVER-SIDE DUPLEX; SCX-8040,SEC	SA	1
1	3		JC61-02992A	BRACKET-SUPPORT LOWER; CLX-9350,SECC,T1.2	SNA	1
2	3		JC66-02744A	ROLLER IDLE-DUPLEX; SCX-8040ND,EPDM,SUM22	SA	1
3	3		JC66-02360B	ROLLER IDLE-DUPLEX CLUTCH; SCX-8040ND,EPD	SNA	1
4	3	K1346	JC31-00102A	MOTOR CIRCUIT-STEP; M42SP-13NK,SCX-6555N,	SA	1
6	3		JC47-00003D	CLUTCH-SPUR; 2.5,24,1,145mA,160Ohm	SA	1
7	3		JC66-02165A	GEAR-IDLE B EXIT; CLX-9350,POM,1.0,21,23	SA	1
8	3		JC66-02163A	GEAR-EXIT; CLX-9350,POM,1.0,16,18.39	SA	1
9	3		JC66-02535A	ROLLER IDLE-DUPLEX_SIDE; SCX-8040ND,EPDM,	SA	1
10	3		6602-002826	BELT-TIMING GEAR; S2M244,RUB(CR),L244	SA	1

Exploded Views and Parts List

No.	Lvl.	Loc.	Material Code	Description & Specification	SNA	Qty.
11	3		JC61-02994A	BRACKET-RAIL REAR SIDE; CLX-9350,SECC,T1.	SNA	1
12	3		JC61-02991A	BRACKET-RAIL FRONT SIDE; CLX-9350,SECC,T1	SNA	1
13	3		JC64-00535A	LOCKER-FRONT_LOWER; SCX-8040,POM,NATURAL,	SA	2
14	3		JC66-02476A	LINK-LOCKER_FRONT_LOWER; SCX-8040,POM,Nat	SA	1
15	3		JC66-02261A	PULLEY-DUPLEX 1; CLX-9350,POM(M90-44),14.	SNA	2
16	3		JC64-00534A	LOCKER-FRONT_UPPER; SCX-8040,POM,NATURAL,	SA	2
17	3		6107-002697	SPRING-TS; SUS304,Pi1.8,ID9.2,OD12.8,8.5,	SA	1
18	3		JC66-02477A	LINK-LOCKER_REAR_SIDE; SCX-8040,POM,Natur	SA	1
19	3		JC66-02483A	GEAR-DUPLEX_UPPER; SCX-8040,POM,A-0.5 B-1	SA	1
20	3		JC61-03578A	BRACKET-SUPPORT_UPPER; SCX-8040,SECC,1.2T	SNA	1

10.4. COVER SIDE DUPLEX ENTRANCE

Exploded View



Parts List

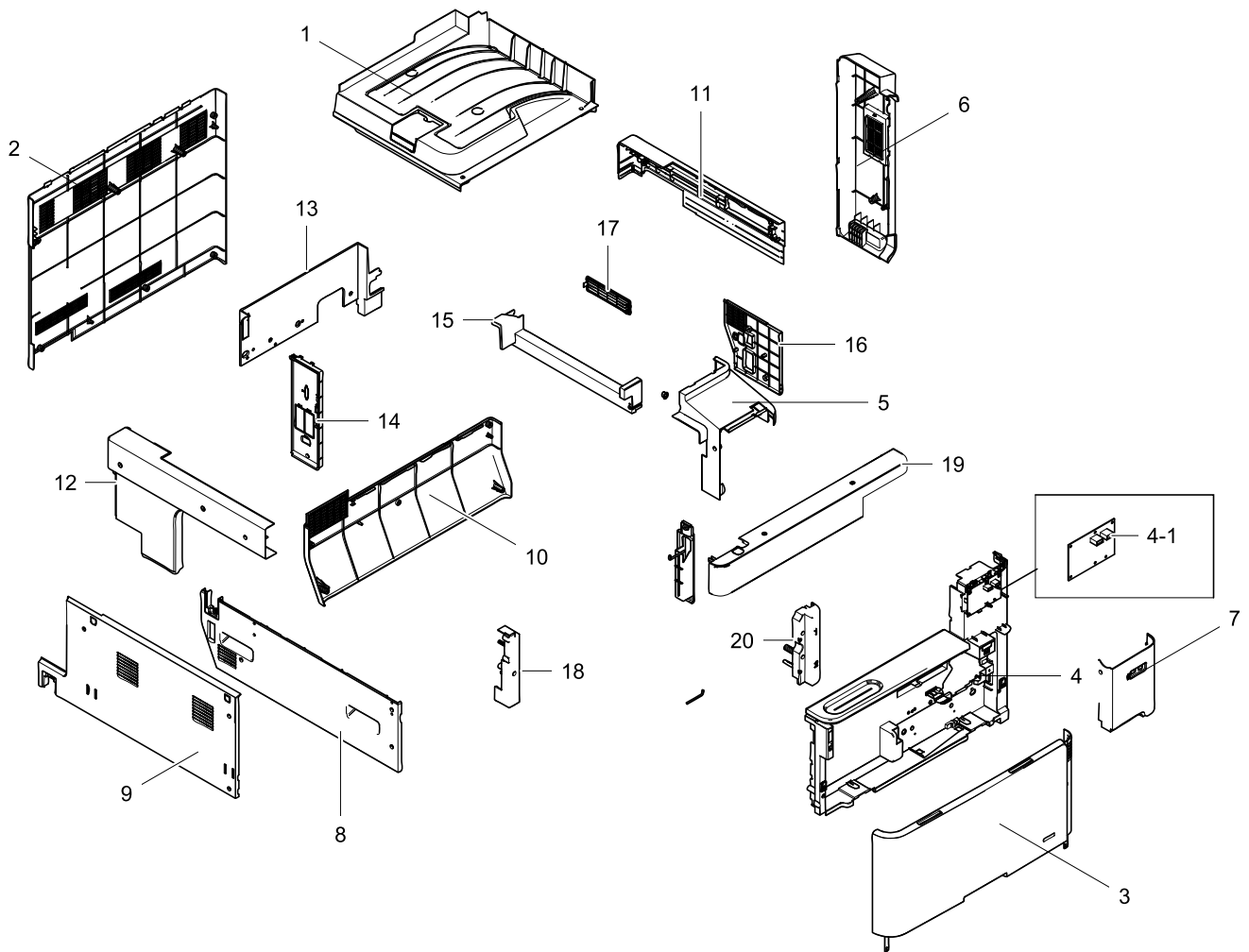
No.	Lvl.	Loc.	Material Code	Description & Specification	SNA	Qty.
0	2		JC95-01136A	COVER-SIDE DUPLEX ENTRANCE; SCX-8040,SEC	SA	1
1	3		JC61-03551A	GUIDE-EXIT_SIDE; SCX-8040,PC+SAN-GF40,BLA	SA	1
2	3		JC61-03554A	GUIDE-DUPLEX-ENTRANCE; SCX-8040,ABS+PC,BL	SNA	1
3	3		JC66-02472A	LEVER-RETURN_GATE; SCX-8040,PPE+PS N300X,	SA	1
4	3		JC66-02531A	ACTUATOR-FUSER-OUT; SCX-8040,PPE+PS N300X	SA	1
5	3		JC66-02180A	ACTUATOR-DUPLEX 2; CLX-9350,PC HN-1064i,B	SA	1
6	3	E9322	0604-001393	PHOTO-INTERRUPTER; TR,75mW,BGA,TR	SA	1
7	3		JC66-02289A	ROLLER IDLE-RUBBER-IDLE; CLX-9350,POM,SW-	SNA	2
8	3		JC61-03552A	HOLDER-SENSOR; SCX-8040,PC,BLACK	SNA	2
9	3		JC66-02163A	GEAR-EXIT; CLX-9350,POM,1.0,16,18.39	SA	1

Exploded Views and Parts List

No.	Lvl.	Loc.	Material Code	Description & Specification	SNA	Qty.
10	3		JC66-02373A	ROLLER-EXIT; CLX-9350,EPDM	SA	1
11	3		6107-001731	SPRING-CS; SUS304,PI0.6,L16.6,ID4.7,OD5.9	SA	2
12	3		JC66-02354A	SHAFT-ROLLER IDLE L; CLX-9350,SUM24L,137.	SA	1
13	3		JC61-03098A	HOLDER-ROLLER IDLE; CLX-9350,POM,NATURAL	SA	2

11. COVER

Exploded View



Parts List

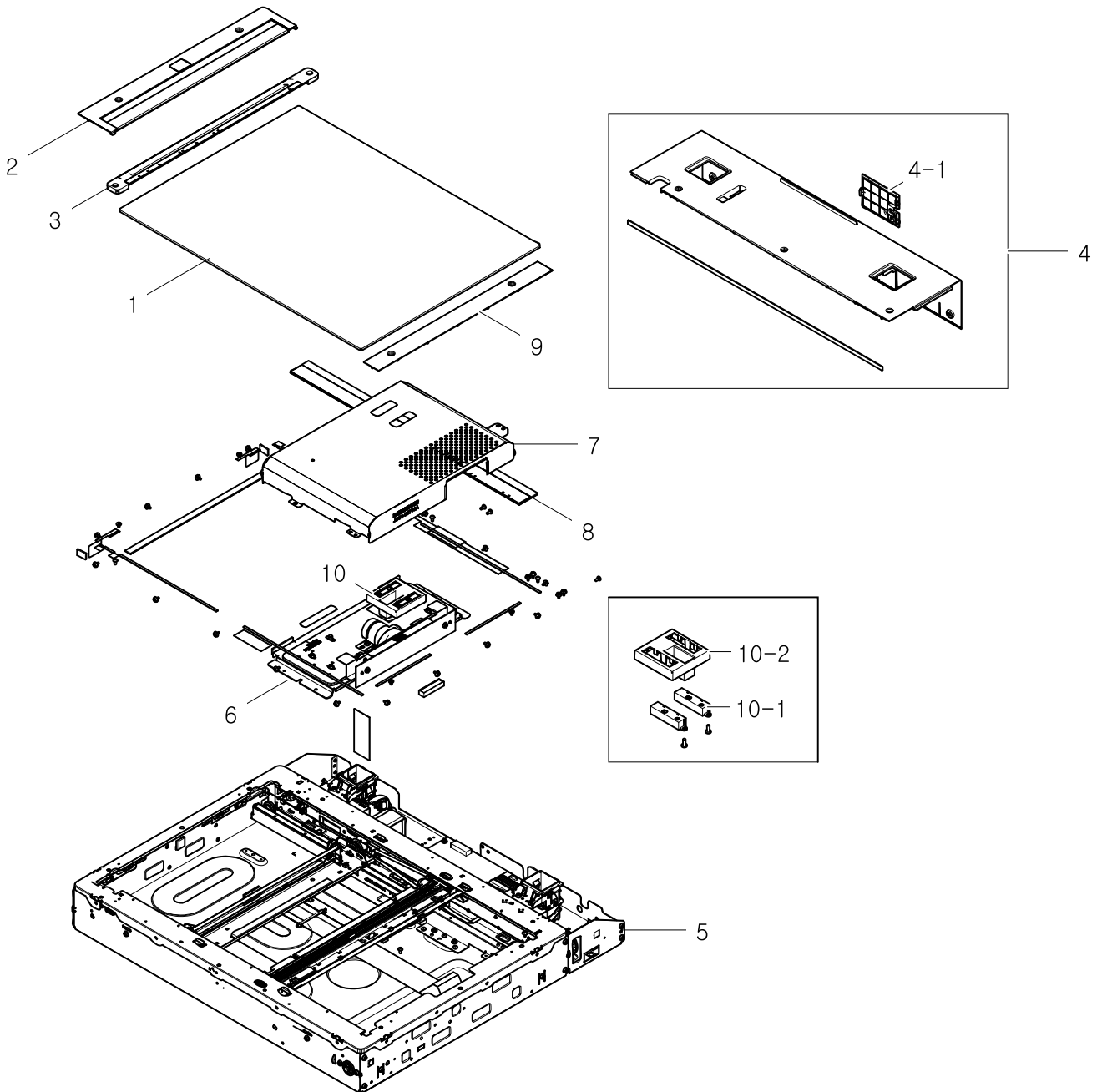
No.	Lvl.	Loc.	Material Code	Description & Specification	SNA	Qty.
1	2		JC95-01033A	COVER-EXIT; CLX-9350,SEC,WORLD,-,-,-,-	SA	1
2	2		JC63-02219A	COVER-REAR UPPER; CLX-9350,HIPS,T 2.5,W 6	SA	1
3	2		JC95-01809A	COVER-FRONT; SCX-8240ND,SEC,WORLD	SA	1
4	2		JC95-01143B	COVER-INNER; SCX-8240,SEC	SA	1
4-1	3		JC92-02586A	PBA-USB HUB; CLX-9352NA,SEC,FR-4/2L,107.0	SA	1
5	2		JC95-01145A	COVER-HINGE OPE; SCX-8040ND,SEC,WORLD	SA	1
6	2		JC95-01032A	COVER-RIGHT; CLX-9350,SEC,WORLD,-,-,-,-	SA	1
7	2		JC63-02518A	COVER-OPE HINGE 2 MONO; SCX-8040ND,HIPS,T	SA	1

Exploded Views and Parts List

No.	Lvl.	Loc.	Material Code	Description & Specification	SNA	Qty.
8	2		JC95-01024A	COVER-LEFT LOWER; CLX-9350,SEC,WORLD,-,-,	SA	1
9	2		JC63-02521A	COVER-LEFT UPPER MONO; SCX-8040ND,HIPS,T	SA	1
10	2		JC63-02220A	COVER-REAR LOWER; CLX-9350,HIPS,T 2.5,W 6	SA	1
11	2		JC63-02233A	COVER-SCAN RIGHT; CLX-9350,HIPS,T 2.5,W 4	SA	1
12	2		JC63-02523A	COVER-SCAN LEFT MONO; SCX-8040ND,HIPS,T 2	SA	1
13	2		JC63-02519A	COVER-EXIT REAR MONO; SCX-8040ND,HIPS,T 2	SA	1
14	2		JC63-03960A	COVER-SHIELD MONO; SCX-8040ND,HIPS,T 2.5,	SA	1
15	2		JC63-02529A	COVER-2ND EXIT; SCX-8040ND,HIPS,T 2.5,W 4	SA	1
16	2		JC63-02274A	COVER-RIGHT LOWER; CLX-9350,HIPS,T 2.5,W	SA	1
17	2		JC67-00398A	CAP-DUMMY STAND; CLX-9350,HIPS,T 2.5,W 14	SA	1
18	2		JC63-02215A	COVER-DUMMY FRONT LL; CLX-9350,HIPS,T 2.5	SA	1
19	2		JC95-01152B	COVER-FRONT SCAN; SCX-8025ND,SEC	SNA	1
20	2		JC95-01027A	COVER-FRONT RIGHT; CLX-9350,SEC,WORLD,-,-	SA	1

12.PLATEN FR HR

Exploded View



Parts List

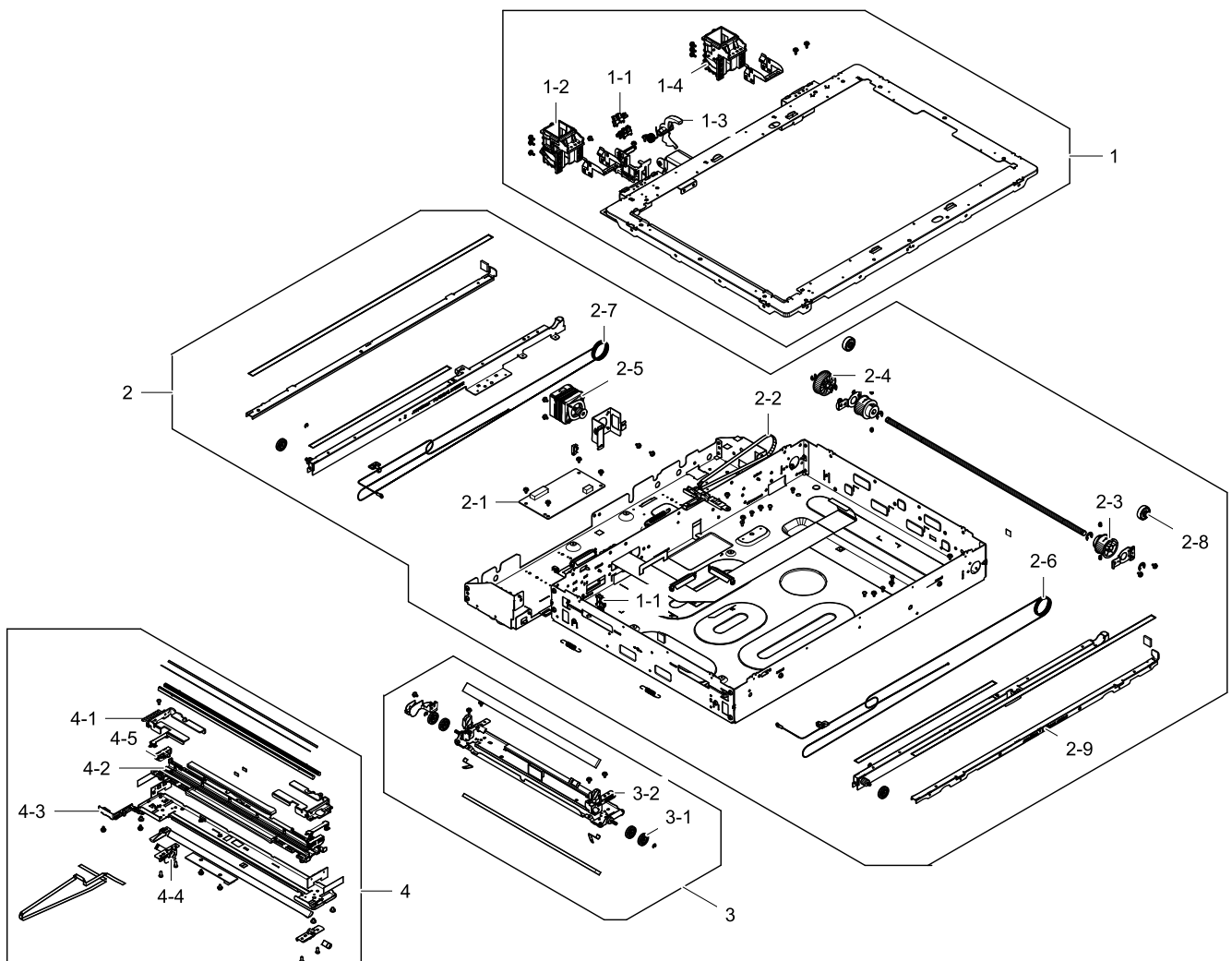
No.	Lvl.	Loc.	Material Code	Description & Specification	SNA	Qty.
1	2		JC01-00034A	GLASS OTHERS-SCAN; 482X358,4,Transmissivi	SNA	1
2	2		JC97-03864A	PLATEN FR HR-GLASS ADF; CLX-9350ND,SEC	SA	1
3	2		JC97-04235A	PLATEN FR HR-GUIDE ADF; CLX-9352,SCANNER	SNA	1
4	2		JC97-04236A	PLATEN FR HR-COVER REAR; CLX-9352,SCANNER	SA	1

Exploded Views and Parts List

No.	Lvl.	Loc.	Material Code	Description & Specification	SNA	Qty.
4-1	2		JC63-02387A	COVER-CONNECTOR_SCAN; CLX-9350,HIPS,T 2.5	SA	1
5	2		JC97-04221A	PLATEN FR HR-BASE; CLX-9352,SCANNER	SNA	1
6	2		JC97-04237A	PLATEN FR HR-ALIGN; CLX-9352,SCANNER	SA	1
7	2		JC61-05798A	PLATE-ALIGN COVER; EGI-SECC,0.5,289,212,G	SNA	1
8	2		JC97-03727A	PLATEN FR HR-GUIDE PAPER; CLX-9350,SEC	SA	1
9	2		JC97-03724A	PLATEN FR HR-COVER GLASS; CLX-9350,SEC	SA	1
10	2		JC97-04705A	PLATEN-APS; CLX-9201,SEC	SNA	1
10-1	3		0604-001453	PHOTO-INTERRUPTER; PHOTO IC,30mW,BULK	SA	2
10-2	3		JC61-04569A	HOLDER-APS; CLX-9201,ABS,60,60,BLACK	SNA	1

12.1. PLATEN FR HR BASE

Exploded View



Parts List

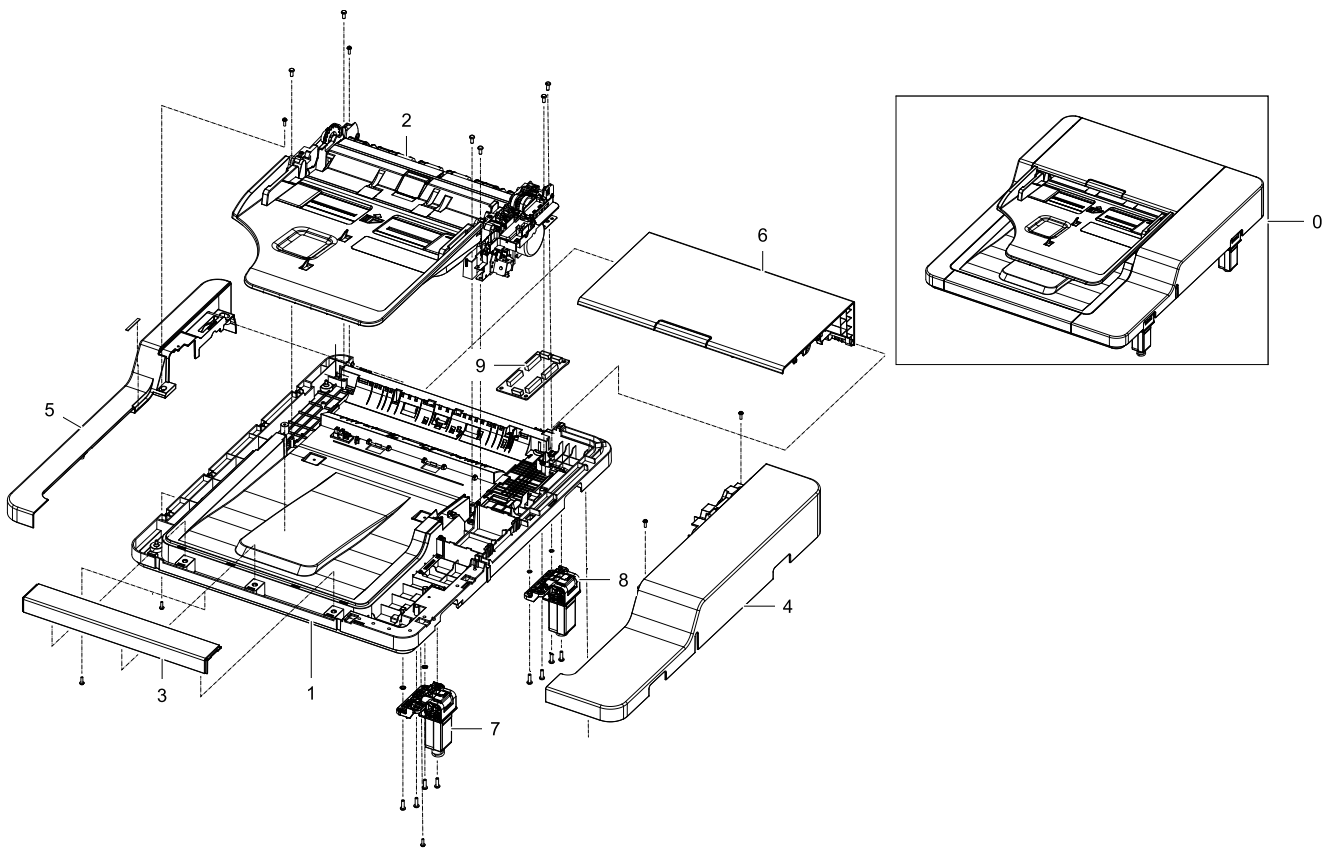
No.	Lvl.	Loc.	Material Code	Description & Specification	SNA	Qty.
1	3		JC97-04223A	PLATEN FR HR-UPPER; CLX-9352,SCANNER	SNA	1
1-1	5	E9322	0604-001393	PHOTO-INTERRUPTER; TR,75mW,BGA,TR	SA	1
1-2	5		JC61-04573A	HOLDER-HINGE-L; CLX-9201,ABS,59,63.1	SNA	1
1-3	5		JC66-03185A	LEVER-OPEN-SENSOR; CLX-9201,POM,53.47,28.	SNA	1
1-4	5		JC61-04574A	HOLDER-HINGE-R; CLX-9201,ABS,61.3,61	SNA	1
2	3		JC97-04224A	PLATEN FR HR-LOWER; CLX-9352,SCANNER	SNA	1
2-1	4		JC92-02579A	PBA-SCAN JOINT; CLX-9352,SEC,USA	SA	1
2-2	4		6602-001725	BELT-TIMING GEAR; 366-1.5GT,Rubber(CR),W6	SA	1
2-3	4		JC66-03242A	PULLEY-DRIVING; CLX-9201,PC,BLACK,8,33	SA	2

Exploded Views and Parts List

No.	Lvl.	Loc.	Material Code	Description & Specification	SNA	Qty.
2-4	4		JC66-02257A	PULLEY-BELT; CLX-9350,POM,WHITE,8,36.305,	SA	1
2-5	5		JC31-00158A	MOTOR STEP 1P; 17PM-K049-P6WS,HB,2,2.2V,4	SA	1
2-6	4		JC97-04227A	PLATEN FR HR-STRING FRONT; CLX-9352,SCANN	SNA	1
2-7	4		JC97-04226A	PLATEN FR HR-STRING REAR; CLX-9352,SCANNE	SNA	1
2-8	3		6601-002694	BEARING BALL; 608ZZ,ID8.0,OD22.0,L7.0,STA	SNA	2
2-9	5		JC97-04230A	PLATEN FR HR-RAIL UPPER F; CLX-9352,SCANN	SNA	1
3	3		JC97-03984A	PLATEN FR HR-CARRIAGE HR; CLX-9201,SCANNE	SNA	1
3-1	4		JC66-03241A	PULLEY-WIRE; CLX-9201,POM,NATURAL(WHITE),	SNA	4
3-2	4		JC61-04632A	BRACKET-HR F; CLX-9201,SECC,1.0,10,53.4	SNA	1
4	3		JC97-04222A	PLATEN FR HR-CARRIAGE FR; CLX-9352,SCANNE	SNA	1
4-1	4		JC61-04644A	PLATE-HEATSINK R; CLX-9201,AL,2.0,50.6,10	SNA	1
4-2	5		JC63-03380A	COVER-LED-MMT; CLX-9201,PC,352,48.7,BLACK	SNA	1
4-3	4		JC61-04571A	HOLDER LED-FFC; CLX-9201,PC,56.6,54.6,BLA	SNA	1
4-4	4		JC61-04635A	BRACKET-FR R; CLX-9201,SECC,1.0,12.5,48.6	SNA	1
4-5	4		JC61-04675A	HOLDER-LED GUIDE; CLX-9201,AL,30.1,12.92	SNA	2

13.DADF

Exploded View

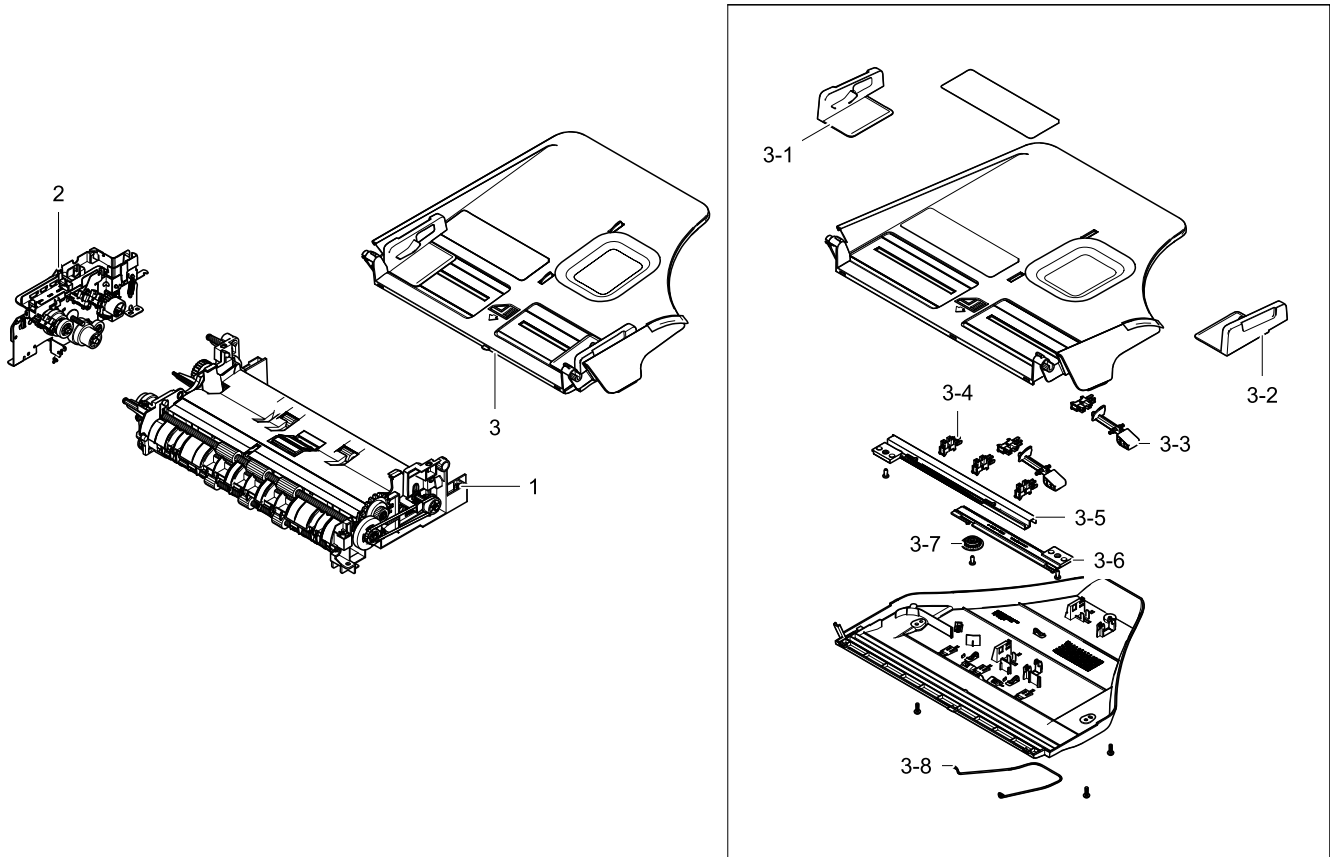


Parts List

No.	Lvl.	Loc.	Material Code	Description & Specification	SNA	Qty.
0	1		JC97-04212A	DADF; CLX-9352NA,SEC	SA	1
1	2		JC97-04234A	DADF PLATEN; CLX-9352,SEC	SA	1
2	2		JC97-04220A	DADF-SUB; CLX-9352,SEC	SNA	1
3	2		JC63-03970A	COVER-DUMMY R; CLX-9350,HIPS,2,29,327.4,C	SA	1
4	2		JC63-03965A	COVER-SIDE-R; CLX-9350,HIPS,2,480,75,CREA	SA	1
5	2		JC63-03966A	COVER-SIDE_F; CLX-9350,HIPS,2,81,622.4,CR	SA	1
6	2		JC97-04225A	DADF OPEN-COVER; CLX-9352,SEC	SA	1
7	2		JC97-04233A	DADF-HINGE R; CLX-9352,SEC,112.4*43.8*8	SC	1
8	2		JC97-04758A	HINGE-DADF L; CLX-9352,SEC,TRANS	SA	1
9	3		JC92-02446B	PBA-ADF; SCX-8240NA,SEC,44*126.8,WIRELESS	SA	1

13.1. DADF SUB

Exploded View

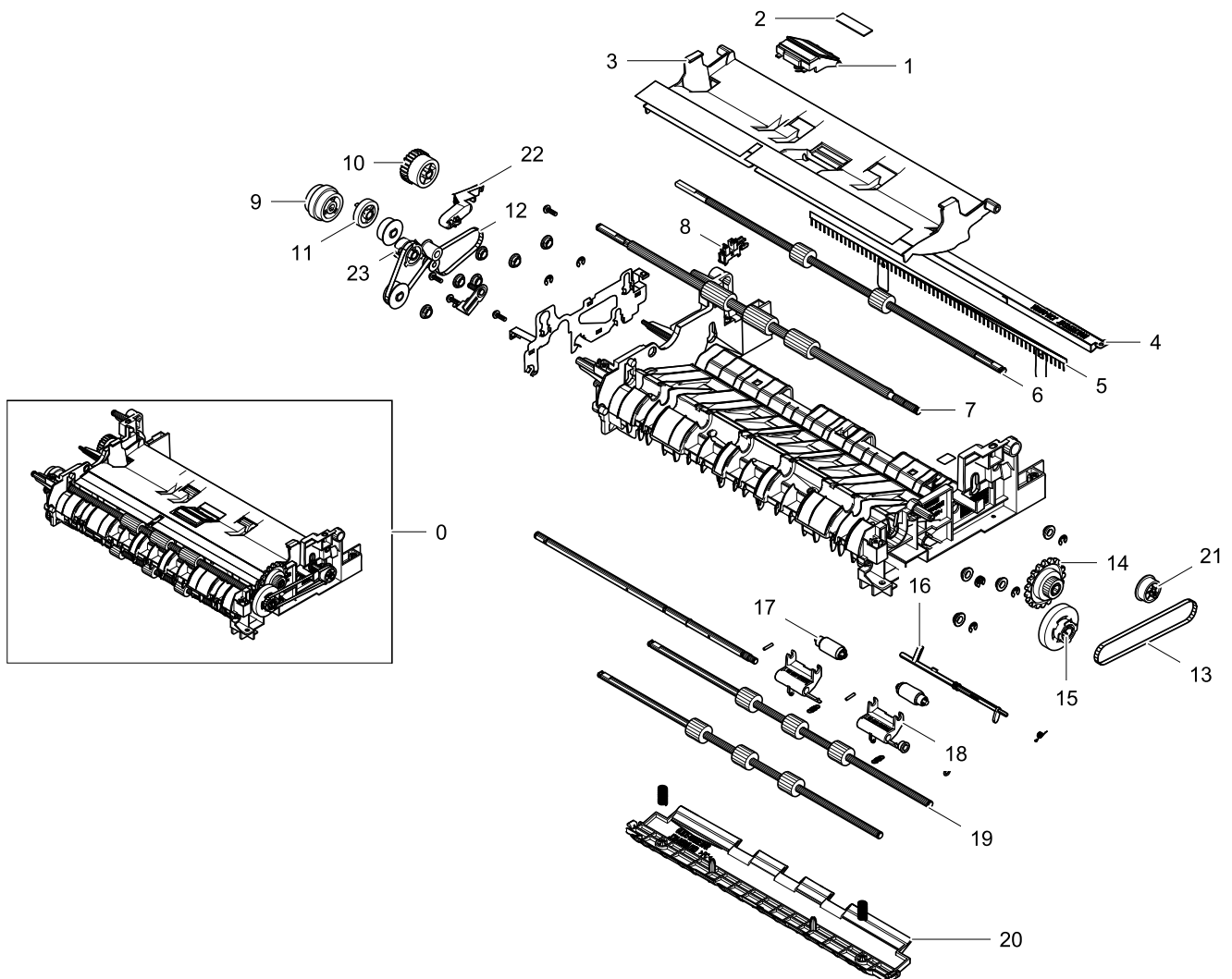


Parts List

No.	Lvl.	Loc.	Material Code	Description & Specification	SNA	Qty.
1	3		JC97-03992A	DADF FRAME-MAIN; CLX-9201,SEC	SA	1
2	3		JC97-03993A	DADF-MOTOR; CLX-9201,SEC	SA	1
3	3		JC97-03994B	DADF STACKER; CLX-9352,SEC	SA	1
3-1	4		JC61-04749B	GUIDE-DOC_R; CLX-9352,ABS+PC,2,125,50,17.	SNA	1
3-2	4		JC61-04748B	GUIDE-DOC_F; CLX-9352,ABS+PC,2,125,50,17.	SNA	1
3-3	4		JC66-03209B	ACTUATOR-PAPER_LENGTH; CLX-9352,PA,80,40,	SA	2
3-4	4	E9322	0604-001393	PHOTO-INTERRUPTER; TR,75mW,BGA,TR	SA	4
3-5	4		JC61-04751A	GUIDE-GEAR_RACK_R; CLX-9201,ABS,37.03,224	SNA	1
3-6	4		JC61-04750A	GUIDE-GEAR_RACK_F; CLX-9201,ABS,33.08,158	SNA	1
3-7	4	L0401	JF72-41354A	GEAR; CF4500,POM,NATURAL (WHITE)	SA	1
3-8	4	I6561	JC61-01438A	GUIDE-STACKER WIRE; SCX-6345N/XRX,STS,PI1	SNA	1

13.1.1. DADF FRAME MAIN

Exploded View



Parts List

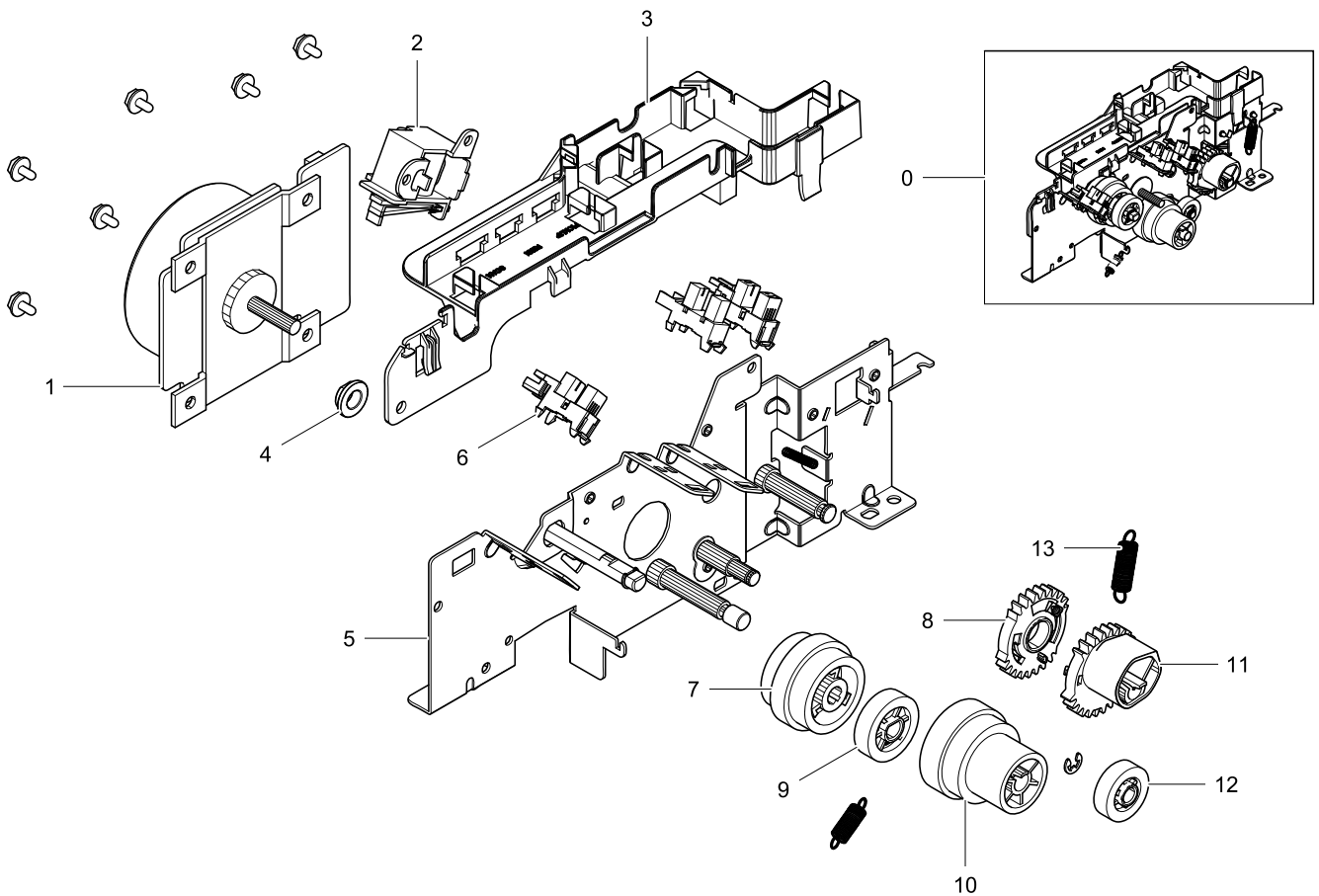
No.	Lvl.	Loc.	Material Code	Description & Specification	SNA	Qty.
0	3		JC97-03992A	DADF FRAME-MAIN; CLX-9201,SEC	SA	1
1	4		JC97-04243A	ADF-HOLDER ADF RUBBER; CLX-9201,SEC	SA	1
2	4		JC69-02810A	PAD-GUIDE_PICKUP; CLX-9201,PU,1.0,10,35	SA	1
3	4		JC61-04583A	GUIDE-PICK_UP; CLX-9201,ABS,2,329.6,PATH	SA	1
4	4		JC61-04908A	BRACKET-EXIT; CLX-9201,EGI-SECC,0.8,316.1	SNA	1
5	4		JC67-00562A	BRUSH-ANTISTATIC; CLX-9201,SUS FIBER,0.2,	SNA	1
6	4		JC66-03095A	ROLLER ADF-EXIT; CLX-9201,EPDM,16	SA	1
7	4		JC66-03094A	ROLLER ADF-REGI; CLX-9201,EPDM,16	SA	1
8	4	E9322	0604-001393	PHOTO-INTERRUPTER; TR,75mW,BGA,TR	SA	1
9	4		JC47-00033G	CLUTCH-ELECTRONIC CLUTCH; SCX-8128NA,POM,	SA	1

Exploded Views and Parts List

No.	Lvl.	Loc.	Material Code	Description & Specification	SNA	Qty.
10	4		JC66-03261A	GEAR-EXIT; CLX-9201,POM,1.0,27,BLACK,29.0	SNA	1
11	4		JC66-03264A	GEAR-IDLE_CLUTCH; CLX-9201,POM,1.0,22,BLA	SA	1
12	4		6602-003183	BELT-TIMING GEAR; 40S2M304,RUBBER,W4.0,L3	SA	1
13	4		6602-003186	BELT-TIMING GEAR; 40S2M258,RUBBER,W4.0,L2	SA	1
14	4		JC66-03266A	GEAR-KNOB; CLX-9201,POM,0.8,20,ICE GREEN	SNA	1
15	4		JC66-03267A	GEAR-REDUCTION_KNOB; CLX-9201,POM,0.8,48,	SNA	1
16	4		JC66-03184A	ACTUATOR-EXIT; CLX-9201,PC,126.2	SA	1
17	4		JC66-03177A	ROLLER ADF-EXIT_IDLE; CLX-9201,POM,12	SA	2
18	4		JC61-04832A	HOLDER-EXIT_IDLE_F; CLX-9201,POM,44,BLACK	SNA	1
19	4		JC66-03093A	ROLLER ADF-RUBBER-FEED; CLX-9201,EPDM,16	SA	2
20	4		JC61-04584A	GUIDE-WHITE_BAR; CLX-9201,PC,319.5,PATH	SA	1
21	4		JC66-03176A	PULLEY-FEED; CLX-9201,POM,BLACK,6,19.864	SA	3
22	4		JC66-03268A	LINK-EXIT IDLE; CLX-9201,POM,55,BLACK	SNA	1
23	4		JC66-03175A	PULLEY-CLUTCH; CLX-9201,POM,6.02,19.864	SA	1

13.1.2. DADF MOTOR

Exploded View



Parts List

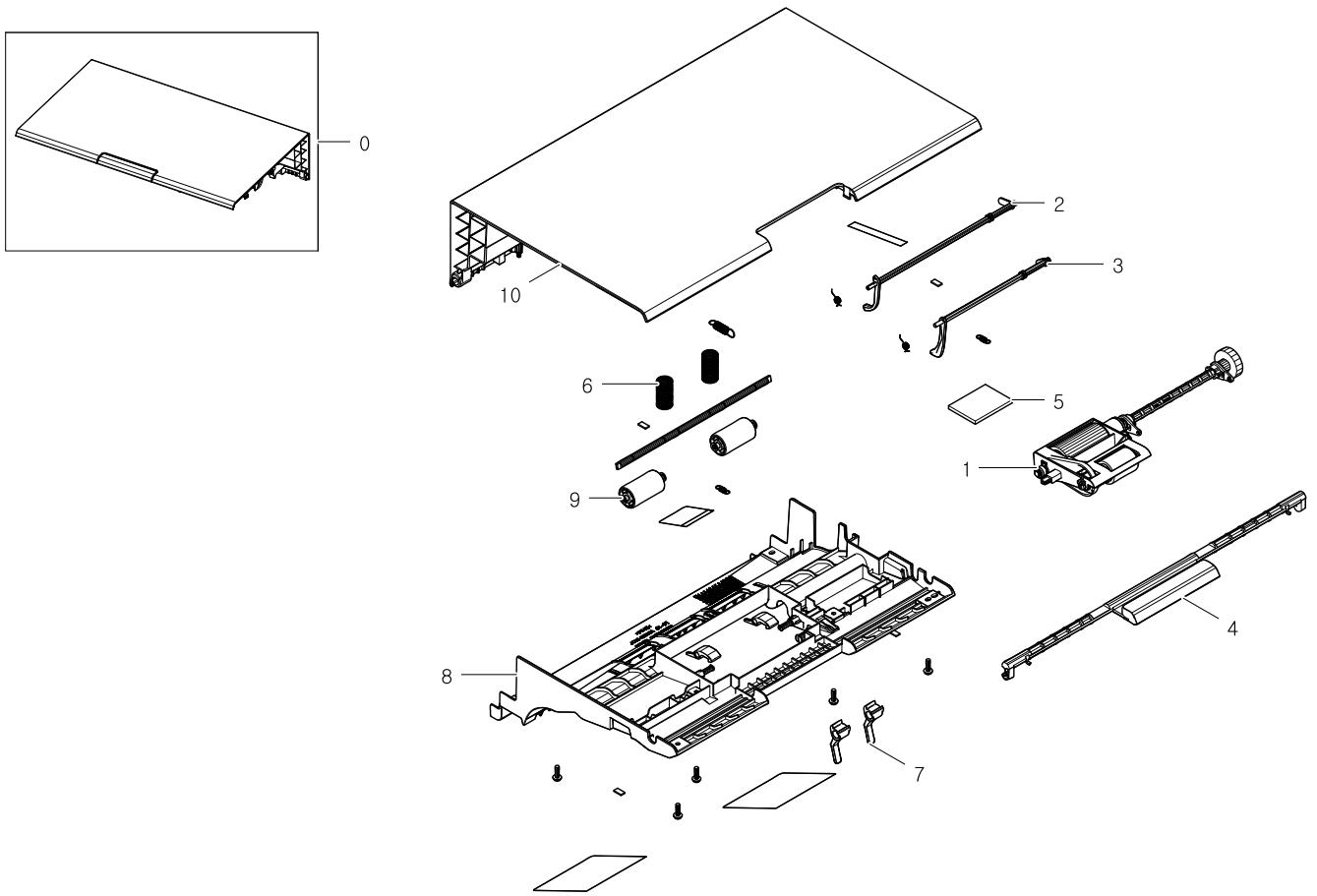
No.	Lvl.	Loc.	Material Code	Description & Specification	SNA	Qty.
0	3		JC97-03993A	DADF-MOTOR; CLX-9201,SEC	SA	1
1	4		JC31-00156A	MOTOR BLDC-TYPE1; 300~2500rpm,DC 24V,25W,	SA	1
2	4	P2163	JC33-00007A	SOLENOID-PICK UP; SCX-5100,DC 24V,80,36.5	SA	1
3	4		JC61-04534A	HOLDER-HARNES; CLX-9201,HIPS,198,BLACK	SNA	1
4	4		JC61-00699B	BUSH-EXIT; CLX-9350,BRONZE,6D,With Out De	SA	1
5	4		JC61-04627A	BRACKET-MOTOR; CLX-9201,EGI-SECC,1.0,NATU	SNA	1
6	4	E9322	0604-001393	PHOTO-INTERRUPTER; TR,75mW,BGA,TR	SA	4
7	4		JC47-00033G	CLUTCH-ELECTRONIC CLUTCH; SCX-8128NA,POM,	SA	1
8	4		JC66-03260A	GEAR-CAM_OUTER; CLX-9201,POM,1.0,28,BLACK	SNA	1

Exploded Views and Parts List

No.	Lvl.	Loc.	Material Code	Description & Specification	SNA	Qty.
9	4		JC66-03265A	GEAR-PICKUP_IDLE; CLX-9201,POM,1.0,20,BLA	SNA	1
10	4		JC66-03263A	GEAR-REDUCTION; CLX-9201,POM,0.5/1.0,55/2	SA	1
11	4		JC66-03259A	GEAR-CAM_INNER; CLX-9201,POM,1.0,28,BLACK	SNA	1
12	4		JC66-03262A	GEAR-EXIT_IDLE; CLX-9201,POM,1.0,16,BLACK	SA	1
13	4		6107-003036	SPRING-ES; SWP,0.55,20.8,5.5,22	SA	1

13.2. DADF OPEN COVER

Exploded View

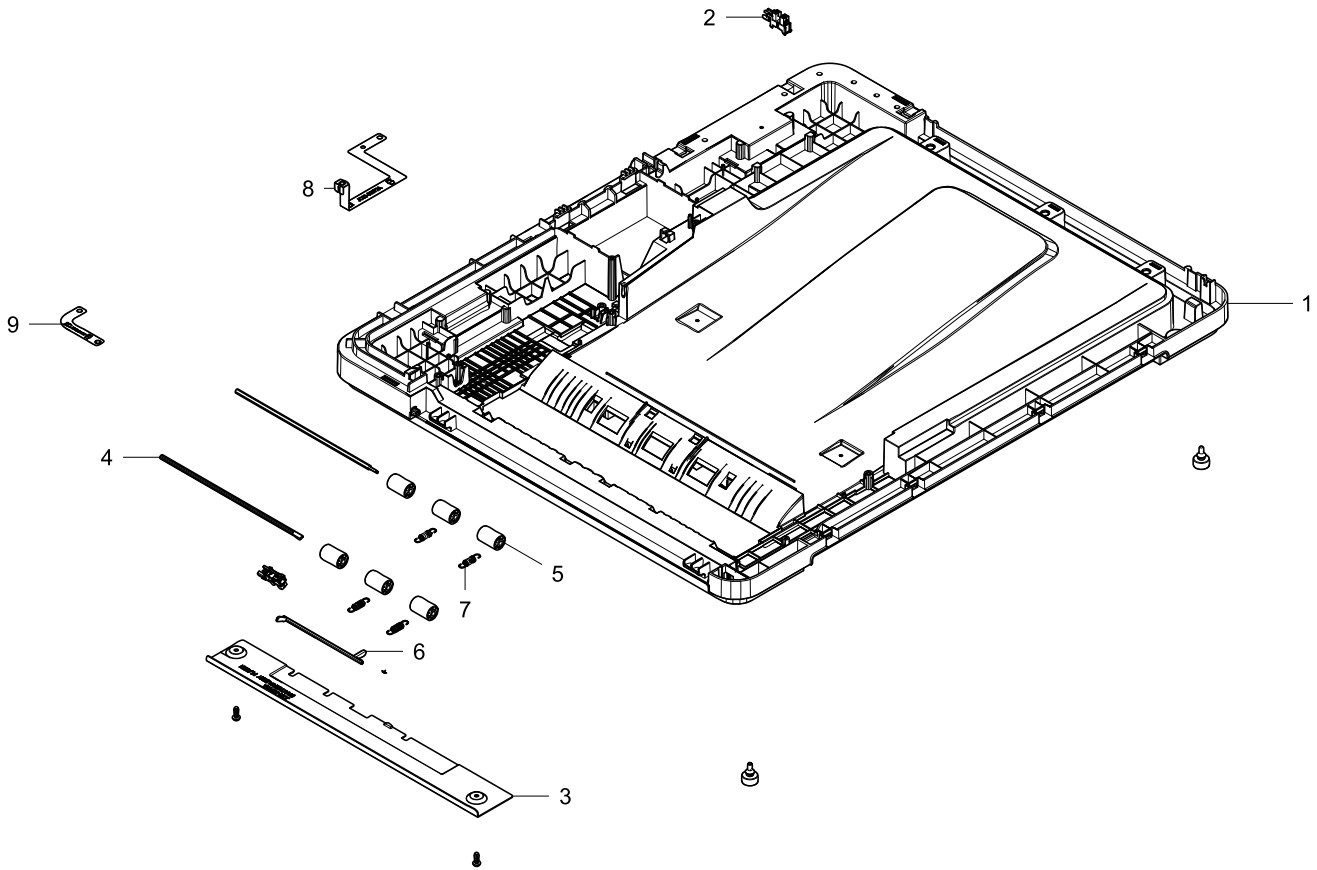


Parts List

No.	Lvl.	Loc.	Material Code	Description & Specification	SNA	Qty.
0	2		JC97-04225A	DADF OPEN-COVER; CLX-9352,SEC	SA	1
1	3		JC97-04009A	DADF GUIDE-PIKCUP; CLX-9201,SEC	SA	1
2	3		JC66-03148A	ACTUATOR-REGI; CLX-9201,PC,156.8	SA	1
3	3		JC66-03147A	ACTUATOR-DETECT; CLX-9201,PC,124,BLACK,AC	SA	1
4	3		JC64-00867A	HANDLE-COVER OPEN; HIPS,321.68,18.1,S-834	SNA	1
5	3		JC63-03890A	SPONGE-COVER OPEN; PUR,3,40,29,GRAY	SNA	1
6	3		6107-003022	SPRING-CS; SWP,1.1,30.63,10.1,12.3,11.5,R	SA	2
7	3		JC61-04647A	STOPPER-PAPER; CLX-9201,POM,35.57,BLACK	SA	2
8	3		JC63-03968A	COVER-OPEN INNER; CLX-9350,HIPS,2,302.7,7	SA	1
9	3		JC66-02384A	ROLLER IDLE-IDLE TAKE AWAY; CLX-9350,POM,	SNA	2
10	3		JC63-03967A	COVER-OPEN; CLX-9350,HIPS,2,363.27,80,CRE	SA	1

13.3. DADF PLATEN

Exploded View

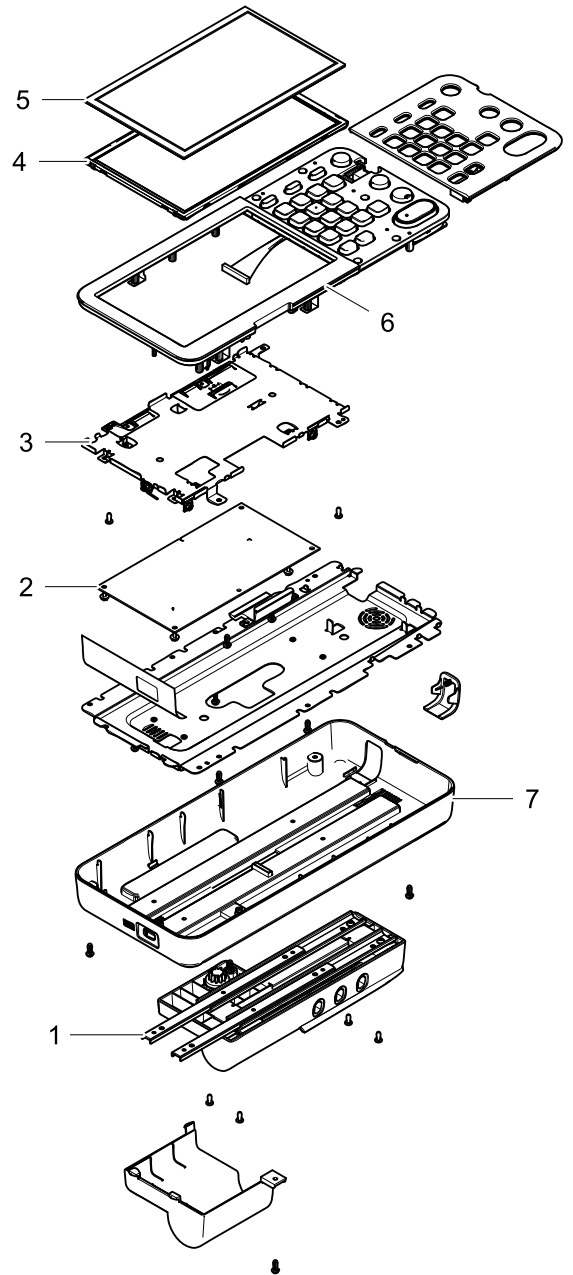
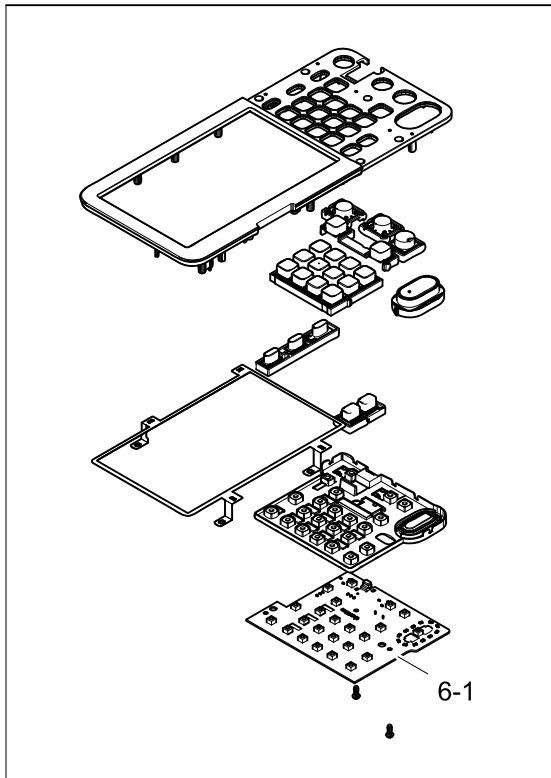
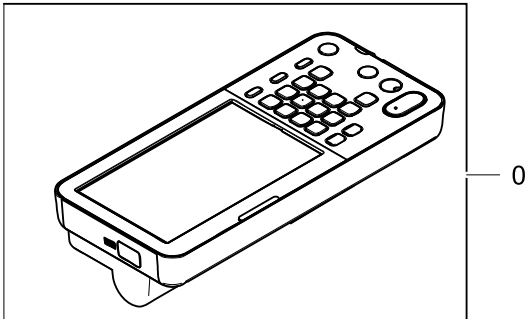


Parts List

No.	Lvl.	Loc.	Material Code	Description & Specification	SNA	Qty.
1	3		JC63-03969A	COVER-PLATEN; CLX-9350,HIPS,2,550,480,108	SA	1
2	3	E9322	0604-001393	PHOTO-INTERRUPTER; TR,75mW,BGA,TR	SA	1
3	3		JC61-05797A	BRACKET-DUMMY PLATEN; CLX-9350,EGI-SECC,1	SNA	1
4	3		JC66-03211A	SHAFT-IDLE_FEED; CLX-9201,SUM23,172,4	SNA	2
5	3	F8903	JC66-01022B	ROLLER IDLE-IDLE SCF; SCX-6555N,POM,NW-02	SNA	6
6	3		JC66-03210A	ACTUATOR-SCAN; CLX-9201,PC,96.4,BLACK,ACT	SA	1
7	3		6107-003277	SPRING-ES; SWP A,0.45,18.2,5.6,11.5,RIGHT	SA	4
8	3		JC63-03972A	GROUND-HINGE_RIGHT; CLX-9350,C5210P,0.2,8	SNA	1
9	3		JC63-03971A	GROUND-HINGE FRAME; CLX-9350,C5210P,0.2,5	SNA	1

14.OPE

Exploded View



Parts List

No.	Lvl.	Loc.	Material Code	Description & Specification	SNA	Qty.
0	1		JC97-04362B	OPE; CLX-9352NA,SEC	SA	1
1	2		JC97-03710A	OPE-COVER RAIL; CLX-9350,SEC,WORLD	SA	1
2	2		JC92-02583B	PBA-OPE MAIN; CLX-9352NA,SEC	SNA	1
3	2		JC97-04063A	OPE-FRAME LCD; CLX-9350,SEC,WORLD	SNA	1
4	2		JC07-00023A	LCD-TSP; JNA10104A-FI01GW11,CLX-9350ND,23	SNA	1

Exploded Views and Parts List

No.	Lvl.	Loc.	Material Code	Description & Specification	SNA	Qty.
5	2		JC07-00022A	LCD; LTN101NT07-8,CLX-9350,1024(H) x 600(SNA	1
6	2		JC97-04361A	OPE-FRONT; CLX-9352NA,WORLD	SNA	1
6-1	3		JC92-02585A	PBA-OPE KEY; CLX-9352NA,SEC,FR-4/2L,120.0	SA	1
7	2		JC97-04567A	OPE-COVER BOTTOM; CLX-9350ND,SEC	SNA	1